

Зип Общепит

vsezip.ru®
retigo
+7(812)987-08-81
Vision



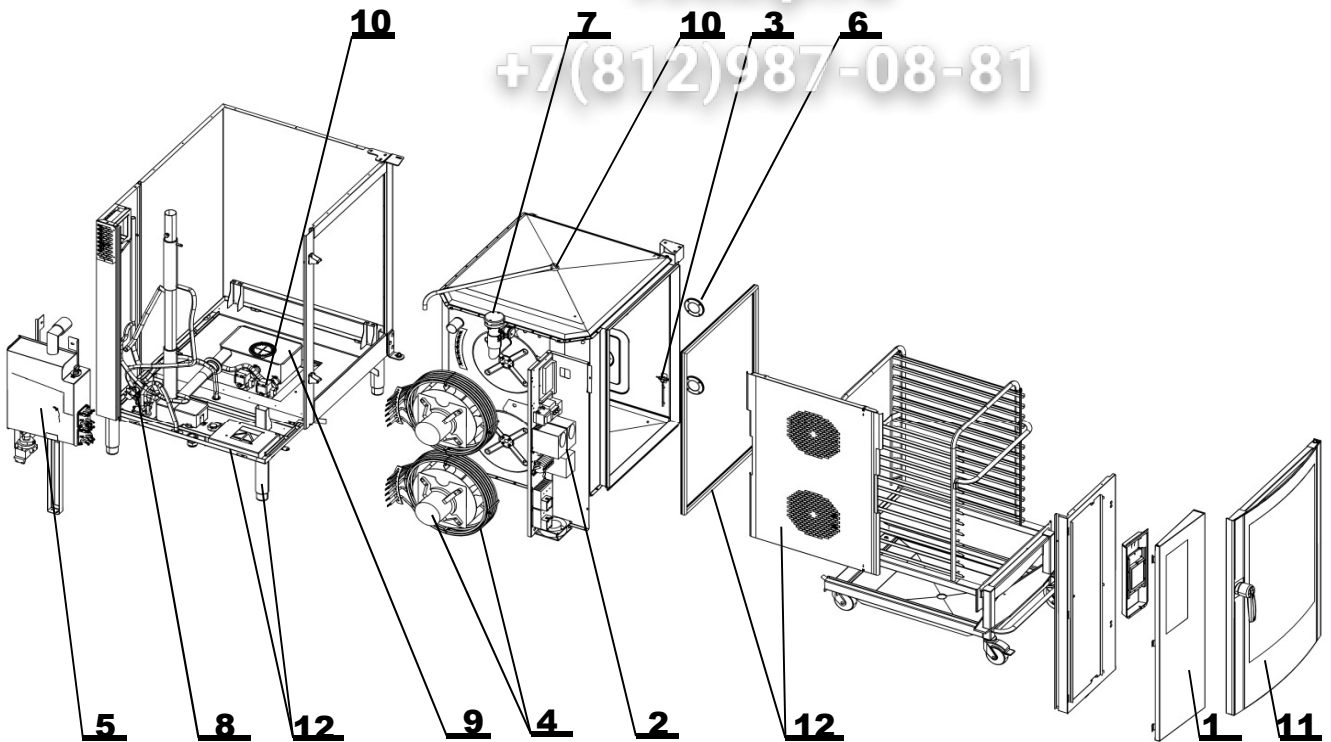
Spare parts catalogue

RETIGO Vision
Combi steamer 1221
electric

Зип Общепит

vsezip.ru

+7(812)987-08-81



CONTENT

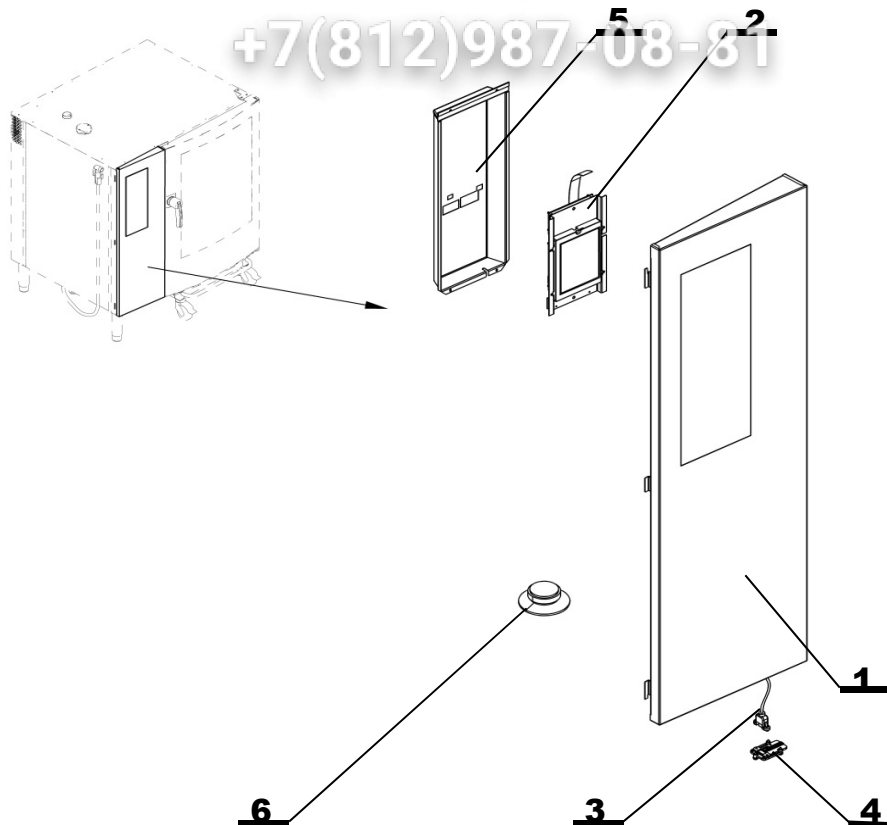
| | | Page |
|----|----------------------------|---------|
| 1 | Control panel | 4 |
| 2 | Power panel | 5 - 6 |
| 3 | Temperature sensors | 7 |
| 4 | Motor, ventilator, heating | 8 |
| 5 | Boiler | 9 |
| 6 | Light | 10 |
| 7 | Flap valve | 11 |
| 8 | Water distribution system | 12 - 13 |
| 9 | Drainage system | 14 - 15 |
| 10 | Automatic cleaning system | 16 |
| 11 | Door | 17 |
| 12 | Accessories | 18 |

3ип Общепит

CONTROL PANEL

vsezip.ru

+7(812)987-08-81



| Position | Code | Name | For type of combi steamer | | | |
|----------|---------------|---|---------------------------|--------|--------|--------|
| | | | B1221i | B1221b | O1221i | O1221b |
| 1 | AC21-1605/CH1 | WHOLE LEFT CORNER WITH ELECTRONIC 1221-BLUE | • | • | | |
| 1 | AC21-1606/CH1 | WHOLE LEFT CORNER WITH ELECTRONIC 1221-ORANGE | | | • | • |
| 2 | XC10-2000 | ELECTRONIC BOARD SET VISION-BLUE Freescale 2011 | • | • | | |
| 2 | XC10-2100 | ELECTRONIC BOARD SET VISION-ORANGE Freescale 2011 | | | • | • |
| 3 | EA05-0052 | USB CABLE | • | • | • | • |
| 4 | SP21-0001 | USB COVER | • | • | • | • |
| 5 | AP10-0021 | COVER OF ELECTRONICS | • | • | • | • |
| 6 | EA13-0151 | AUXILIARY LOUD-SPEAKER | • | • | • | • |

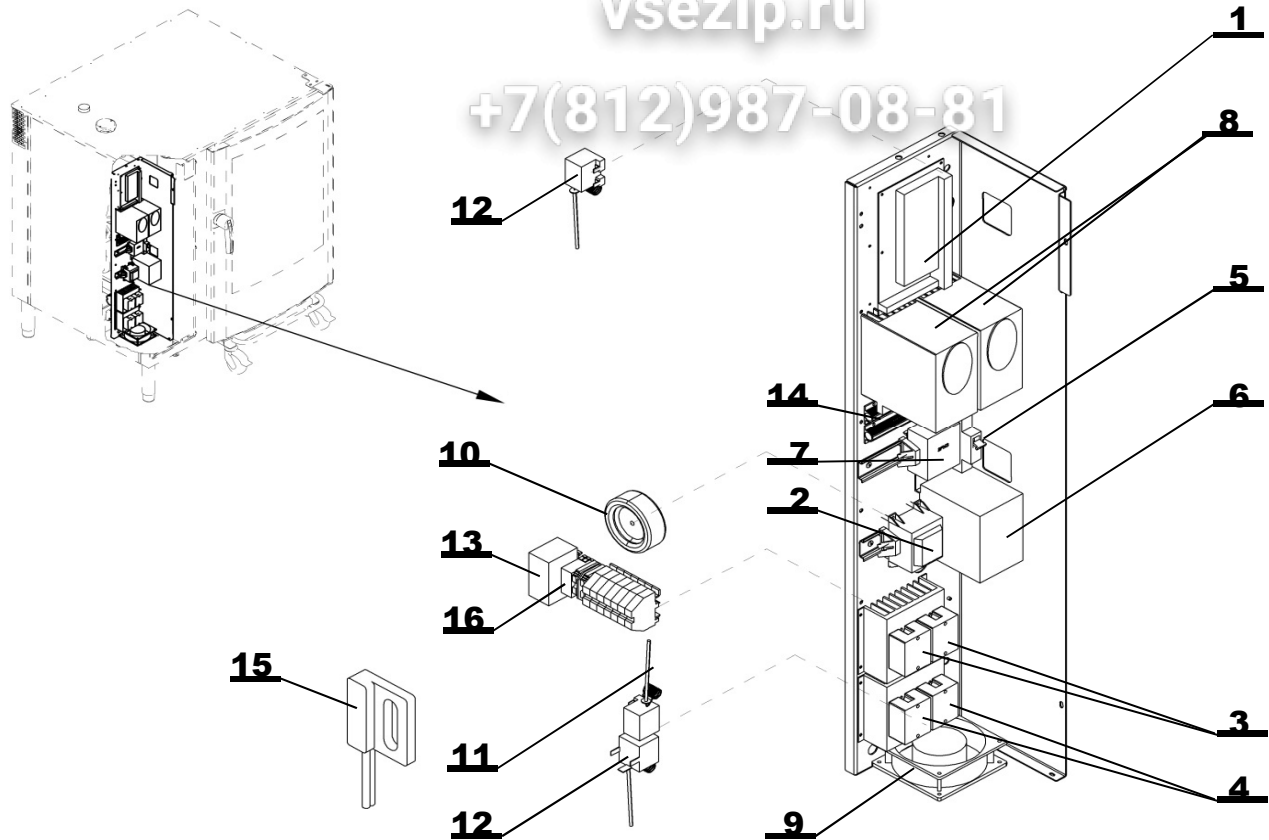
Note:

| | | | | | | |
|---|-----------------|--|---|---|---|---|
| 1 | AC21-1605/S/CH1 | LEFT CORNER PLATE 1221 - BLUE WITH USB CONNECTOR | • | • | | |
| 1 | AC21-1606/S/CH1 | LEFT CORNER PLATE 1221 - ORANGE WITH USB CONNECTOR | | | • | • |

Зип-Общепит

vsezip.ru

+7(812)987-08-81



| Position | Code | Name | For type of combi steamer | | | |
|----------|-----------|-----------------------------------|---------------------------|--------|--------|--------|
| | | | B1221i | B1221b | O1221i | O1221b |
| 1 | EA14-0080 | POWER SUPPLY BOARD VISION -R04.1 | • | • | | |
| 2 | EA13-0008 | TRANSFORMER TRONIC 17V | • | • | | |
| 3 | EA02-0203 | SOLID STATE RELAY SOB965660 | | • | | |
| 4 | EA02-0203 | SOLID STATE RELAY SOB965660 | • | • | | |
| 5 | EA03-0016 | CIRCUIT BREAKER | • | • | | |
| 6 | EA02-0006 | CONTACTOR (LC1D50P7) | • | • | | |
| 7 | EA13-0109 | SUPPRESSOR | • | • | | |
| 8 | EA13-0400 | FREQUENCY CONVERTER | • | • | | |
| 9 | ZA21-0007 | FAN SUNNON | • | • | | |
| 10 | EA13-0009 | TRANSFORMER 1TT63P2 230V/11,5V | • | • | | |
| 11 | EA04-0011 | THERMAL FUSE BOILER 140 °C | | • | | |
| 12 | EA04-0012 | THERM. FUSE FOR SPACE 360°C | • | • | | |
| 13 | EA13-0058 | SUPPRESSION COMPONENT FC611 13b | • | • | | |
| 14 | EA16-0041 | RESISTOR VW3TR342150RJ | • | • | | |
| 15 | EA01-0016 | DOOR SWITCH 1221, 2011, 2021 | • | • | | |
| 16 | EA13-0056 | SUPPRESSION COMPONENT TS811 1022B | • | • | | |

Note:

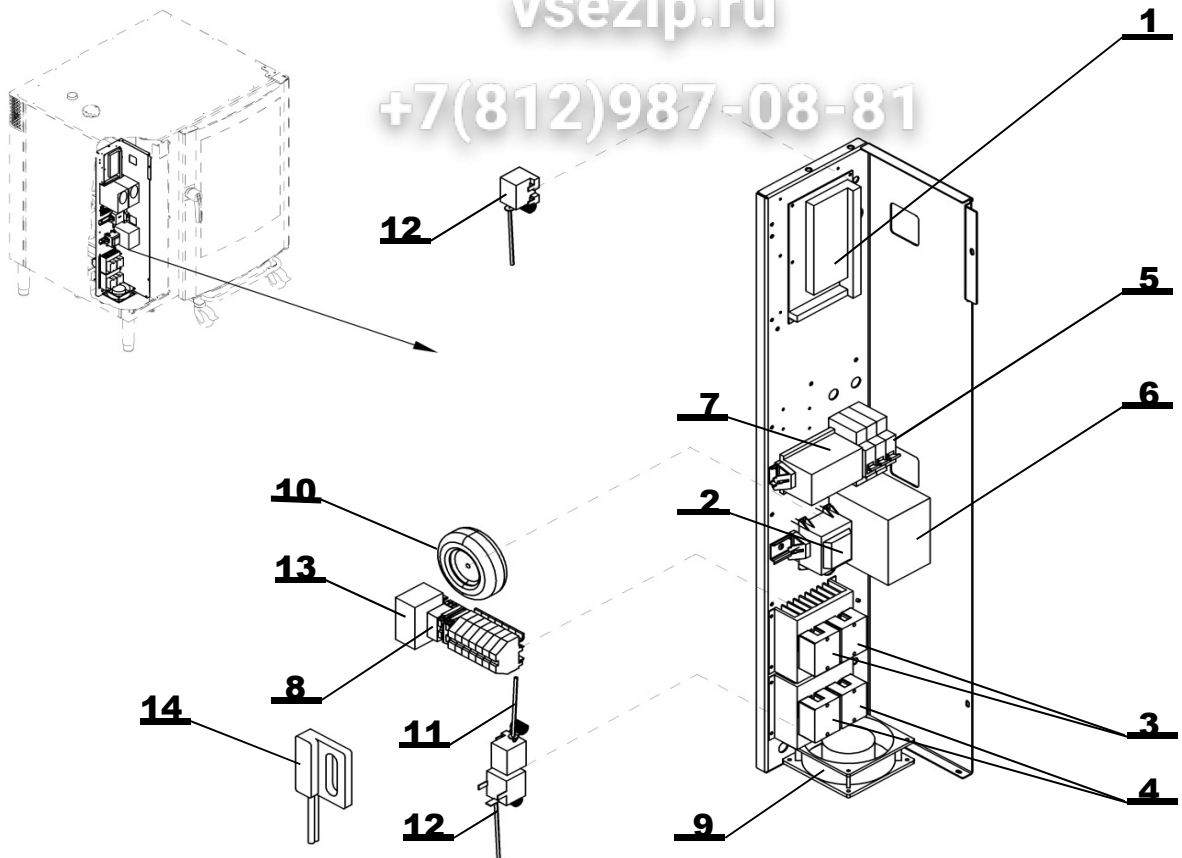
| | | | | | | |
|--------|-----------|-------------------|---|---|--|--|
| 7+8+14 | EA13-0402 | KIT RETIGO VISION | • | • | | |
|--------|-----------|-------------------|---|---|--|--|

Зип Общежит

POWER PANEL ORANGE

vsezip.ru

+7(812)987-08-81



| Position | Code | Name | For type of combi steamer | | | |
|----------|-----------|-----------------------------------|---------------------------|--------|--------|--------|
| | | | B1221i | B1221b | O1221i | O1221b |
| 1 | EA14-0080 | POWER SUPPLY BOARD VISION -R04.1 | | | • | • |
| 2 | EA13-0008 | TRANSFORMER TRONIC 17V | | | • | • |
| 3 | EA02-0203 | SOLID STATE RELAY SOB965660 | | | • | • |
| 4 | EA02-0203 | SOLID STATE RELAY SOB965660 | | | • | • |
| 5 | EA03-0018 | CIRCUIT BREAKER PEP-10J 3P D 6A | | | • | • |
| 6 | EA02-0006 | CONTACTOR (LC1D50P7) | | | • | • |
| 7 | EA02-0002 | REVERSIBLE CONTACTOR | | | • | • |
| 8 | EA13-0056 | SUPPRESSION COMPONENT TS811 1022B | | | • | • |
| 9 | ZA21-0007 | FAN SUNNON | | | • | • |
| 10 | EA13-0009 | TRANSFORMER 1TT63P2 230V/11,5V | | | • | • |
| 11 | EA04-0011 | THERMAL FUSE BOILER 140 °C | | | • | • |
| 12 | EA04-0012 | THERM. FUSE FOR SPACE 360°C | | | • | • |
| 13 | EA13-0057 | SUPPRESSION COMPONENT FC611 | | | • | • |
| 14 | EA01-0016 | DOOR SWITCH 1221, 2011, 2021 | | | • | • |

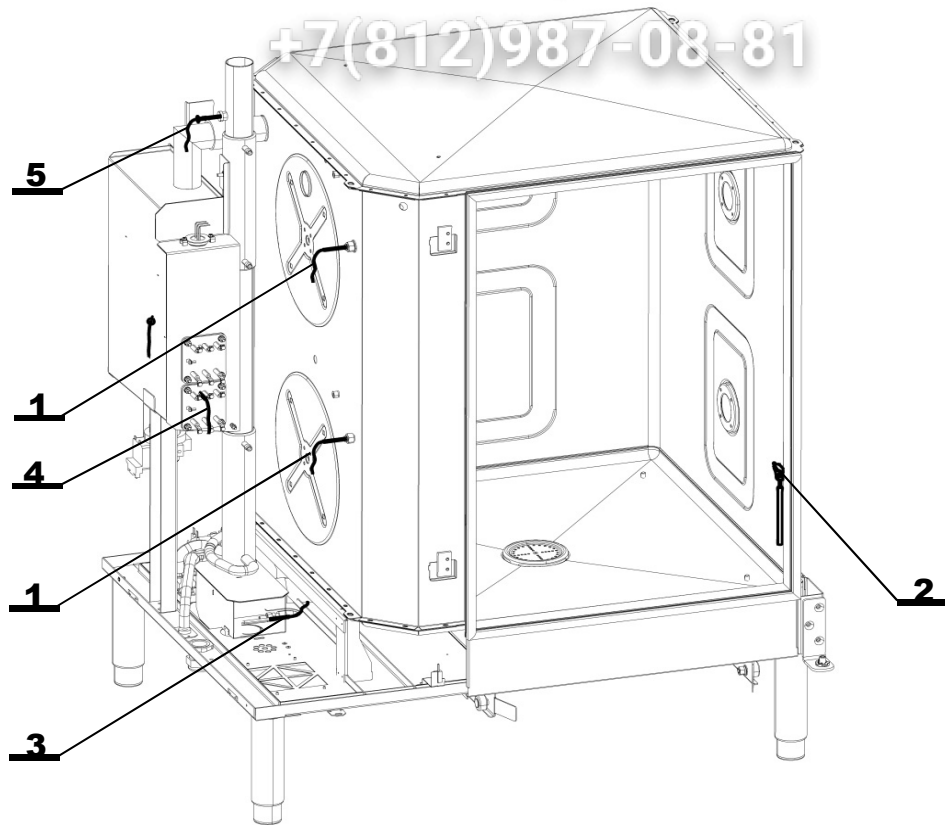
Note:

ТЕМПЕРАТУРНИ СЕНЗОРИ

Зип Общежит

vsezip.ru

+7(812)987-08-81



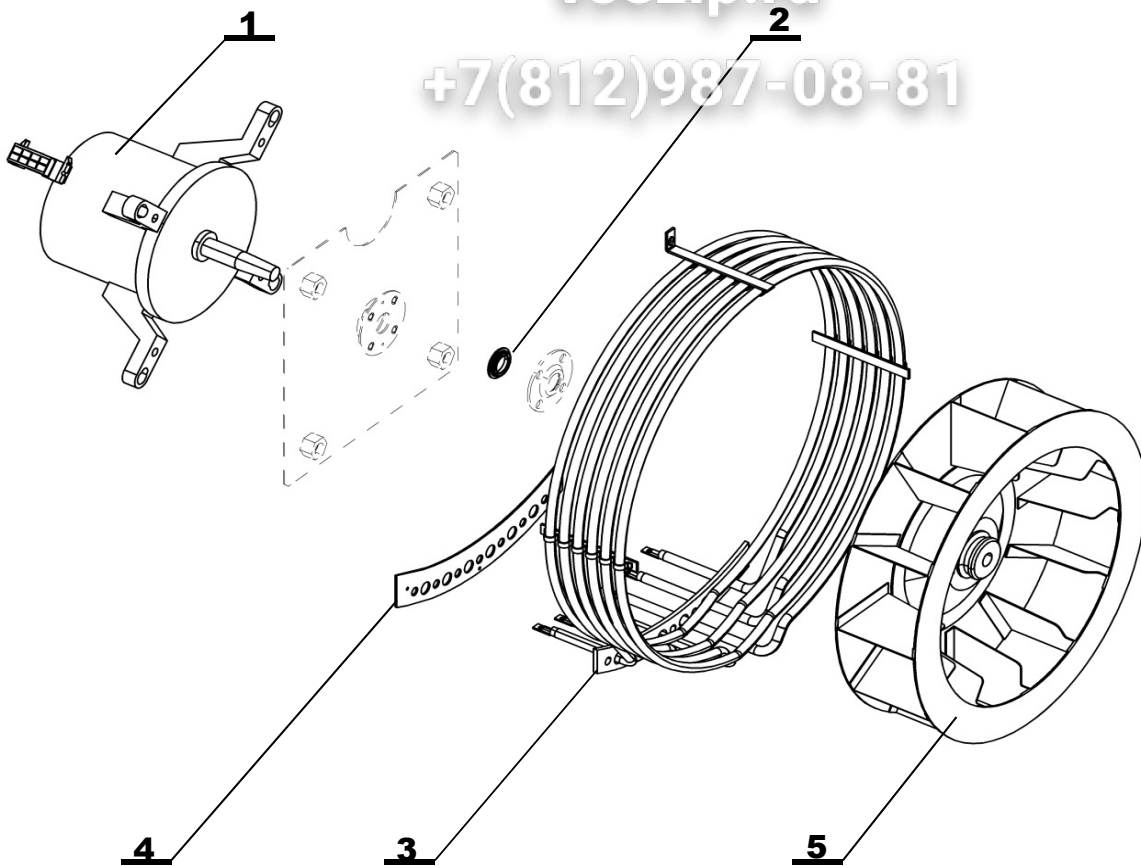
| Position | Code | Name | For type of combi steamer | | | |
|----------|-----------|---|---------------------------|--------|--------|--------|
| | | | B1221i | B1221b | O1221i | O1221b |
| 1 | EA10-0103 | COOKING CHAMBER AND STEAM TEMP. SENSOR | • | • | • | • |
| 2 | EA10-0114 | CORE PROBE (meat probe) - Blue - 4 point 1221, 2011, 2021 | • | • | | |
| 2a | EA10-0112 | CORE PROBE (meat probe) - Orange - 1 point 1221, 2011, 2021 | | | • | • |
| 3 | EA10-0104 | DRAIN and BOILER TEMP. SENSOR 623, 611, 1011, 1221 | • | • | • | • |
| 4 | EA10-0104 | DRAIN and BOILER TEMP. SENSOR 623, 611, 1011, 1221 | | • | | • |
| 5 | EA10-0103 | COOKING CHAMBER AND STEAM TEMP. SENSOR | | • | | • |

Note:

3ип Общепит
MOTOR - VENTILATOR

vsezip.ru

+7(812)987-08-81



| Position | Code | Name | For type of combi steamer | | | |
|----------|-----------|-------------------------------------|---------------------------|--------|--------|--------|
| | | | B1221i | B1221b | O1221i | O1221b |
| 1 | EA11-0014 | MOTOR HANNING L9 EB30 | • | • | • | • |
| 2 | AX00-0006 | MOTOR SEAL | • | • | • | • |
| 3 | AX00-0007 | HEATING ELEMENT 1011,2011,1221 16kW | • | • | • | • |
| 4 | AX00-0008 | SEAL | • | • | • | • |
| 5 | AX09-0006 | VENTILATOR FAN ø 320mm/110mm | • | • | • | • |

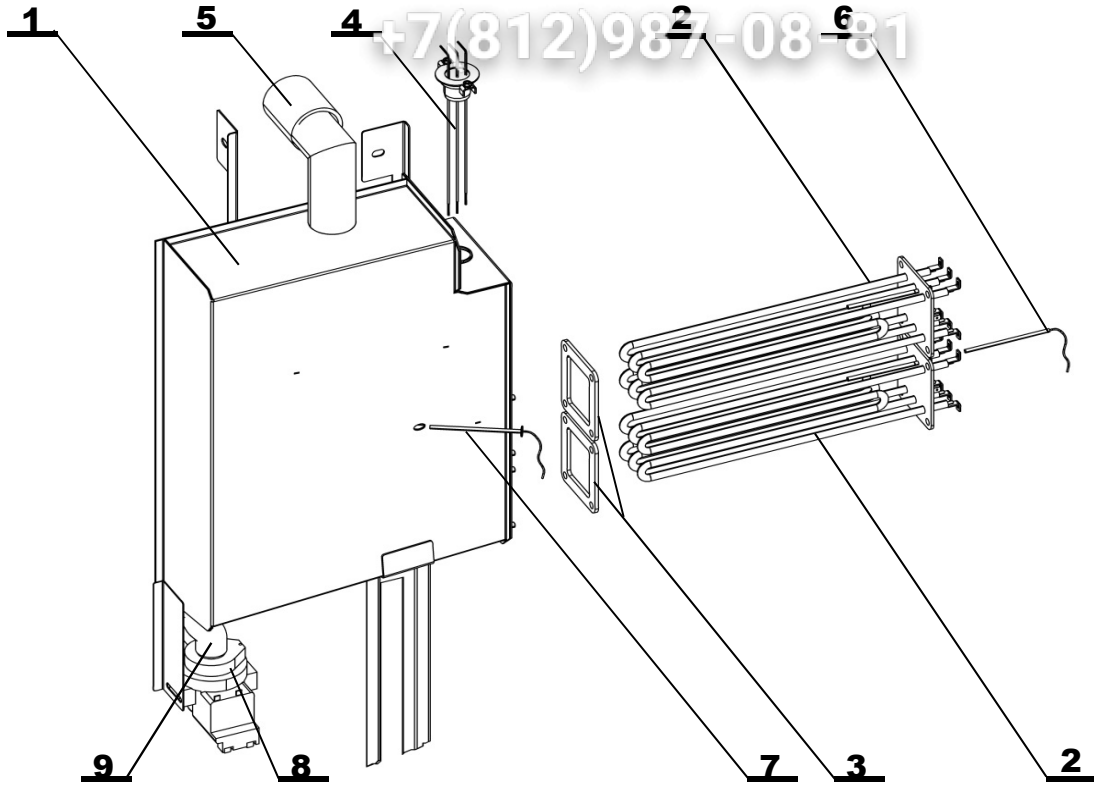
Note:

Зип-Общепит

BOILER 12 VISION

vsezip.ru

+7(812)987-08-81



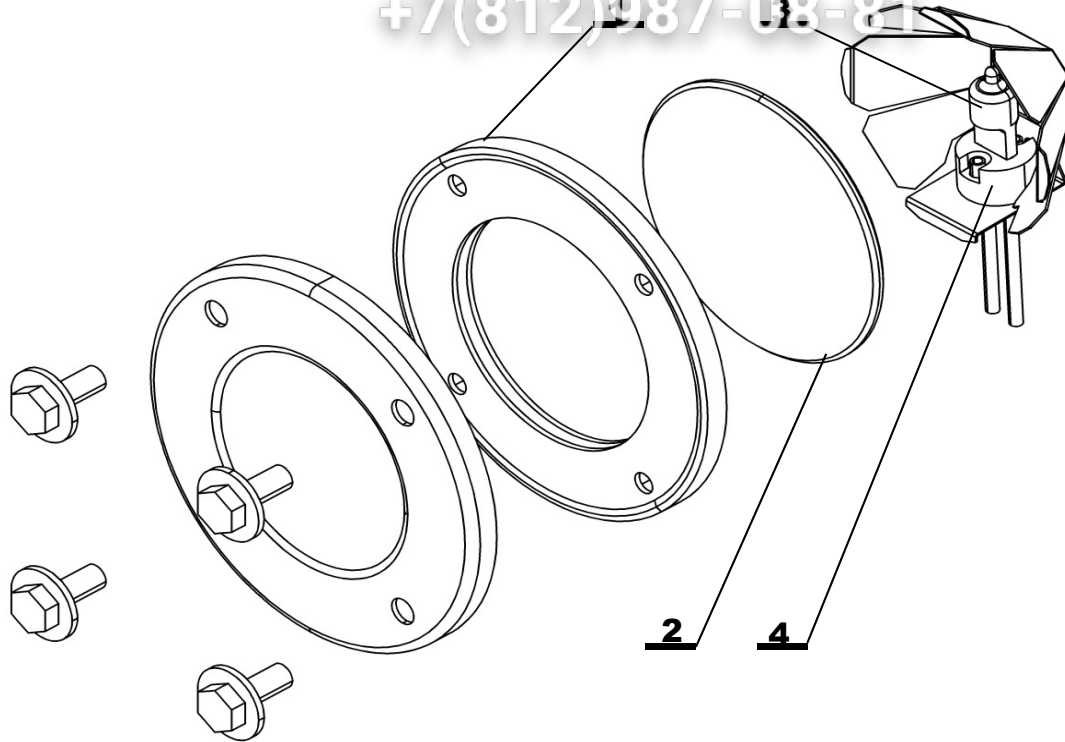
| Position | Code | Name | For type of combi steamer | | | |
|----------|-----------|--|---------------------------|--------|--------|--------|
| | | | B1221i | B1221b | O1221i | O1221b |
| 1 | AC24-0900 | BOILER 1221 VISION | | • | | • |
| 2 | EX24-0008 | BOILER HEATING ELEMENT 12 kW VISION | | • | | • |
| 3 | AX24-0002 | BOILER HEATING ELEMENT SEAL | | • | | • |
| 4 | AC24-0602 | WATER LEVEL SENSOR VISION | | • | | • |
| 5 | ZA10-0501 | SILICON TUBE CONNECTION | | • | | • |
| 6 | EA10-0104 | DRAIN and BOILER TEMP. SENSOR 623, 611, 1011, 1221 | | • | | • |
| 7 | EA04-0011 | THERMAL FUSE BOILER 140 °C | | • | | • |
| 8 | EA12-0001 | PUMP | | • | | • |
| 9 | ZA11-0901 | CONNECTING HOSE PUMP-BOILER | | • | | • |

Note:

Зип-Общепит

vsezip.ru

+7(812)987-08-81



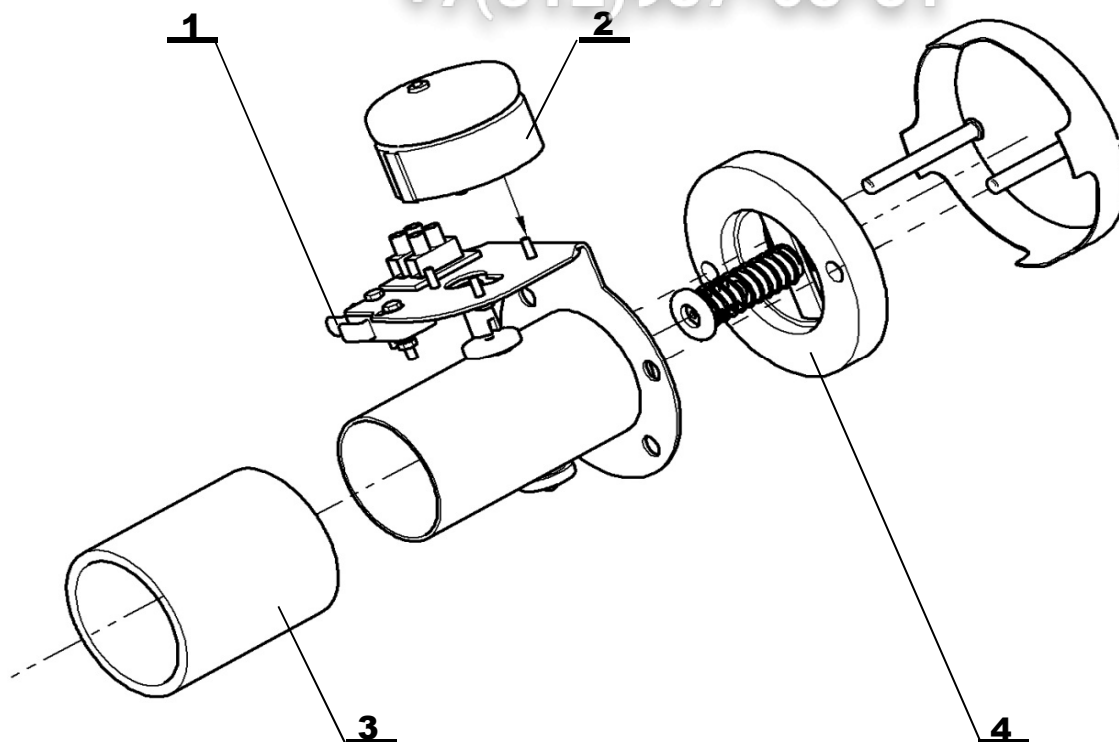
| Position | Code | Name | For type of combi steamer | | | |
|----------|-----------|-------------------|---------------------------|--------|--------|--------|
| | | | B1221i | B1221b | O1221i | O1221b |
| 1 | AX07-0005 | LIGHT SEAL VISION | • | • | • | • |
| 2 | AX07-0004 | GLASS PLATE | • | • | • | • |
| 3 | EA13-0100 | HALOGEN LAMP | • | • | • | • |
| 4 | EA13-0101 | HALOGEN LAMP BASE | • | • | • | • |

Note:

Зип-Общепит

vsezip.ru

+7(812)987-08-81



| Position | Code | Name | For type of combi steamer | | | |
|----------|-----------|-----------------------------------|---------------------------|--------|--------|--------|
| | | | B1221i | B1221b | O1221i | O1221b |
| 1 | EA01-0052 | MIKROSWITCH (until 1.1.2010) | • | • | | |
| 2 | EA11-0012 | MOTOR + SWITCH (since 1. 1. 2010) | • | • | | |
| 2 | EA11-0005 | MOTOR (until 1.1.2010) | • | • | | |
| 3 | AT00-0006 | FLAP VALVE HOSE DA6 | • | • | • | • |
| 4 | AC25-0105 | PLUG | • | • | • | • |
| 1+2+4 | AC25-0100 | FLAP VALVE COMPLETE | • | • | | |

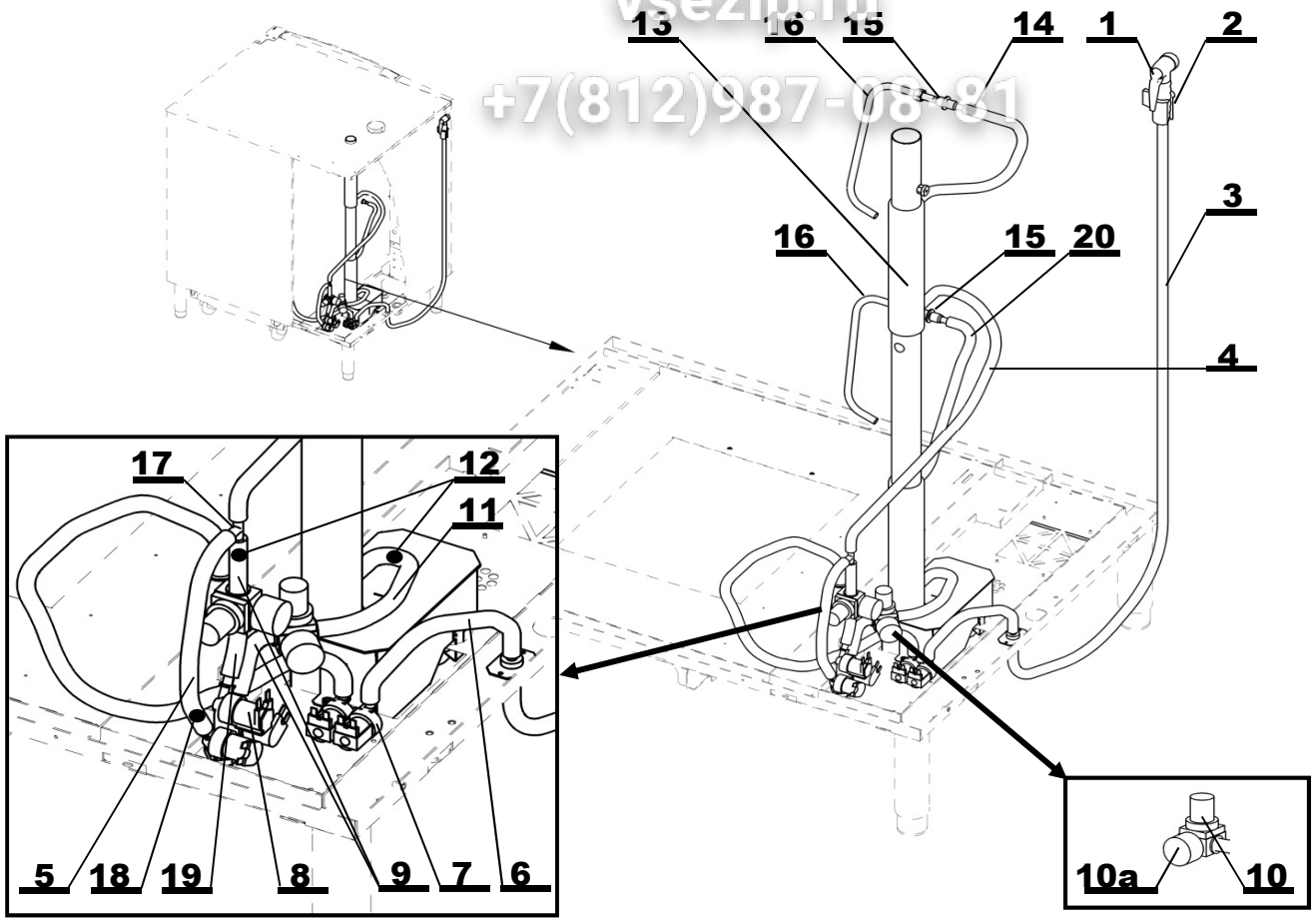
Note:

WATER DISTRIBUTION SYSTEM SECTION

Зип Общедит

vsezip.ru

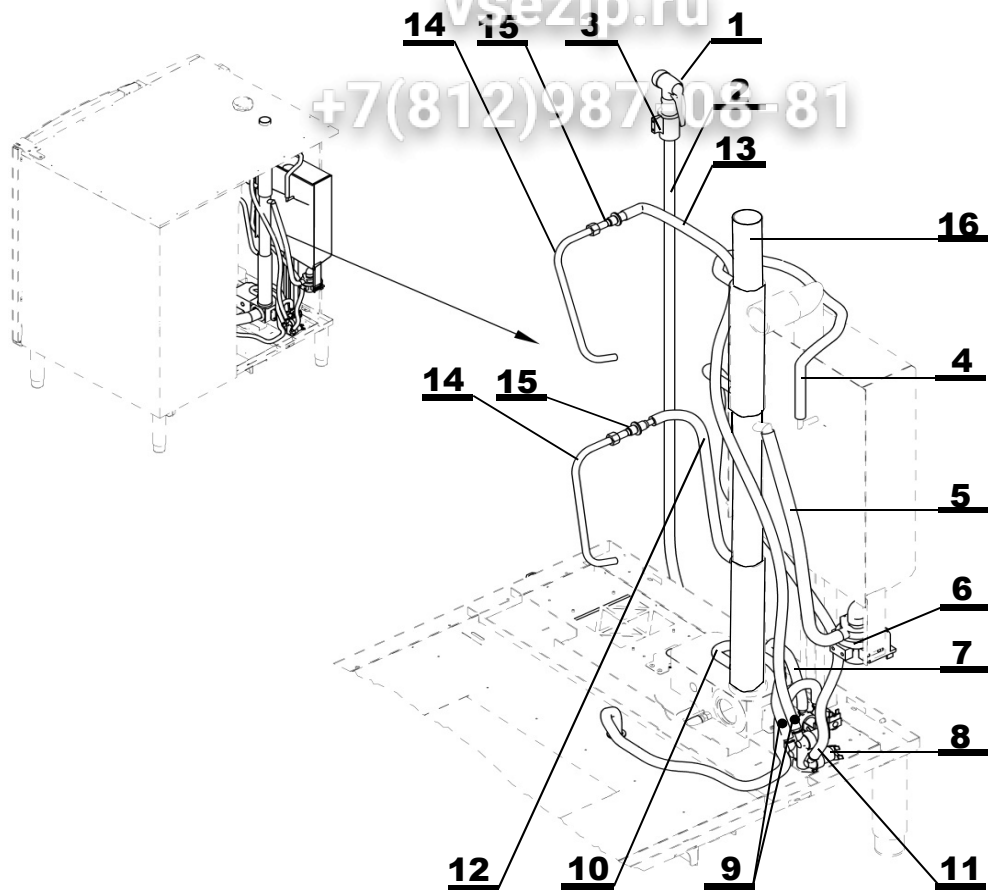
+7(812)987-08-81



| Position | Code | Name | For type of combi steamer | | | |
|----------|-----------|------------------------------|---------------------------|--------|--------|--------|
| | | | B1221i | B1221b | O1221i | O1221b |
| 1 | ZA15-0100 | SHOWER KLARCO | • | | • | |
| 2 | AT00-0002 | SHOWER HOLDER KLARCO | • | | • | |
| 3 | ZA11-0904 | RUBBER HOSE FOR SHOWER 2,1m | • | | • | |
| 4 | AT26-0014 | HOSE VALVE-RED. VALVE | • | | • | |
| 5 | AA26-0107 | HOSE 10x3,6 - 320 | • | | • | |
| 6 | AA26-0101 | HOSE 10x3,6 - 350 | • | | • | |
| 7 | EA12-0050 | DOUBLE SOLENOID VALVE | | | • | |
| 7 | EA12-0056 | TRIPLE SOLENOID VALVE | • | | | |
| 8 | EA12-0056 | TRIPLE SOLENOID VALVE | • | | • | |
| 9 | AA26-0104 | HOSE 10x3,6 - 90 | • | | • | |
| 10 | ZA12-0201 | WATER REDUCTING VALVE | • | | • | |
| 10a | ZA12-0401 | MANOMETER 0-1bar, WIKA | • | | • | |
| 11 | AA26-0101 | HOSE 10x3,6 - 350 | • | | • | |
| 12 | AT00-0056 | NOZZLE 07 | • | | • | |
| 13 | AC05-2400 | CHIMNEY 1221 Vision - inject | • | | • | |
| 14 | AT24-0021 | BOILER HOSE | • | | • | |
| 15 | AC00-2500 | BUSHING | • | | • | |
| 16 | AC12-0900 | INJECTION PIPE VISION 1221 | • | | • | |
| 17 | ZA10-0553 | T-FITTING T-TS 10 mm | • | | • | |
| 18 | EA12-0303 | REDUCTION NOZZLE | • | | • | |
| 19 | AT26-0006 | HOSE VALVE-RED. VALVE | • | | • | |
| 20 | AT26-0001 | HOSE VALVE-RED. VALVE | • | | • | |

Note:

WATER DISTRIBUTION SYSTEM FOR BOILER



| Position | Code | Name | For type of combi steamer | | | |
|----------|-----------|------------------------------|---------------------------|--------|--------|--------|
| | | | B1221i | B1221b | O1221i | O1221b |
| 1 | ZA15-0100 | SHOWER KLARCO | | • | | • |
| 2 | ZA11-0904 | RUBBER HOSE FOR SHOWER 2,1m | | • | | • |
| 3 | AT00-0002 | SHOWER HOLDER KLARCO | | • | | • |
| 4 | AT26-0013 | HOSE | | • | | • |
| 5 | AA26-0154 | HOSE 16/22 - 600 | | • | | • |
| 6 | EA12-0001 | PUMP | | • | | • |
| 7 | AA26-0101 | HOSE 10x3,6 - 350 | | • | | • |
| 8 | EA12-0056 | TRIPLE SOLENOID VALVE | | | | • |
| 9 | EA12-0303 | REDUCTION NOZZLE | | • | | • |
| 10 | AT26-0009 | HOSE VALVE-RECUPERATOR | | • | | • |
| 11 | AT26-0012 | HOSE VALVE-RED. VALVE | | • | | • |
| 12 | AT32-0017 | HOSE ULKA | | • | | • |
| 13 | AA26-0113 | HOSE 10x3,6 - 1500 | | • | | • |
| 14 | AC12-0900 | INJECTION PIPE VISION 1221 | | • | | • |
| 15 | AC00-2500 | BUSHING | | • | | • |
| 16 | AC05-2300 | CHIMNEY 1221 Vision - boiler | | • | | • |

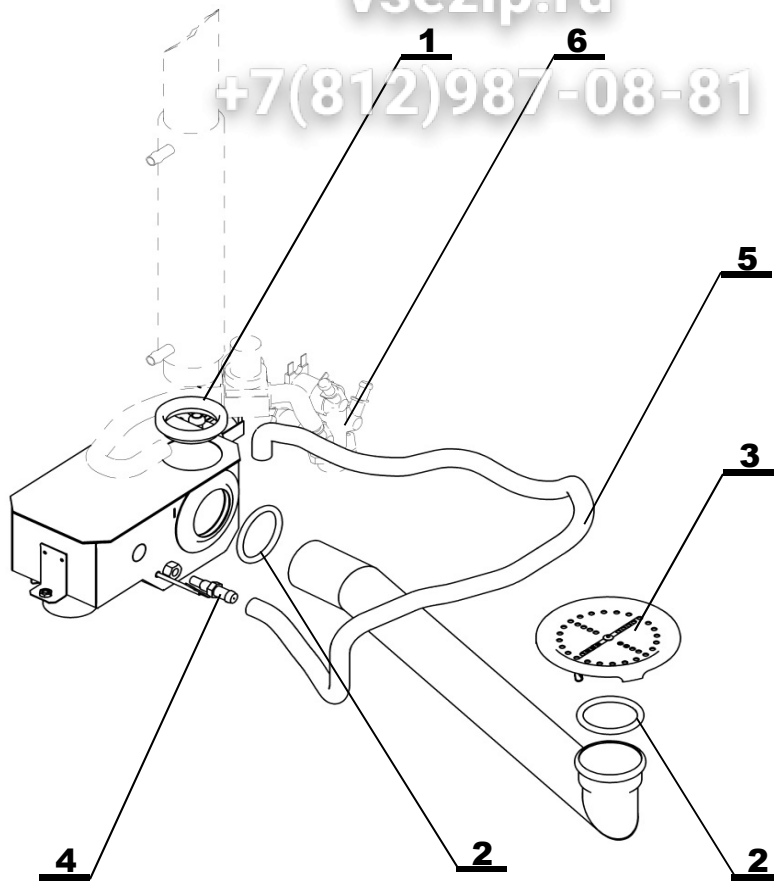
Note:

3ип Общелт

DRAINAGE SYSTEM FOR USE

vsezip.ru

+7(812)987-08-81



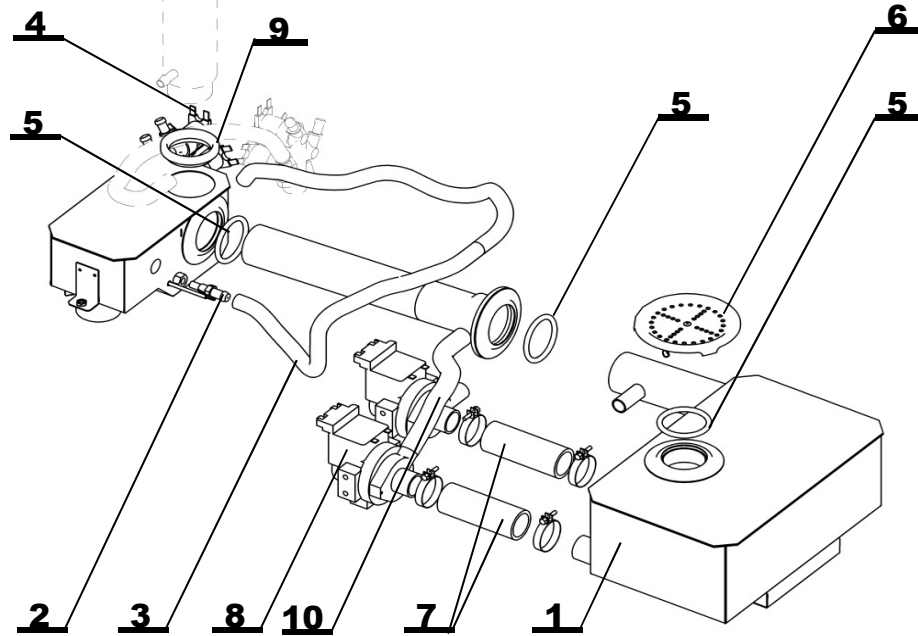
| Position | Code | Name | For type of combi steamer | | | |
|----------|-----------|-----------------------|---------------------------|--------|--------|--------|
| | | | B1221i | B1221b | O1221i | O1221b |
| 1 | AX04-0002 | SEAL \varnothing 50 | | | • | • |
| 2 | ZA13-1549 | O-RING | | | • | • |
| 3 | AC02-2202 | DRAIN CAP | | | • | • |
| 4 | AT01-0013 | NOZZLE | | | • | • |
| 5 | AT26-0012 | HOSE VALVE-RED. VALVE | | | • | • |
| 6 | EA12-0050 | DOUBLE SOLENOID VALVE | | | • | • |

Note:

ДRAINAGE SYSTEM / Зип-Общепит

vsezip.ru

+7(812)987-08-81



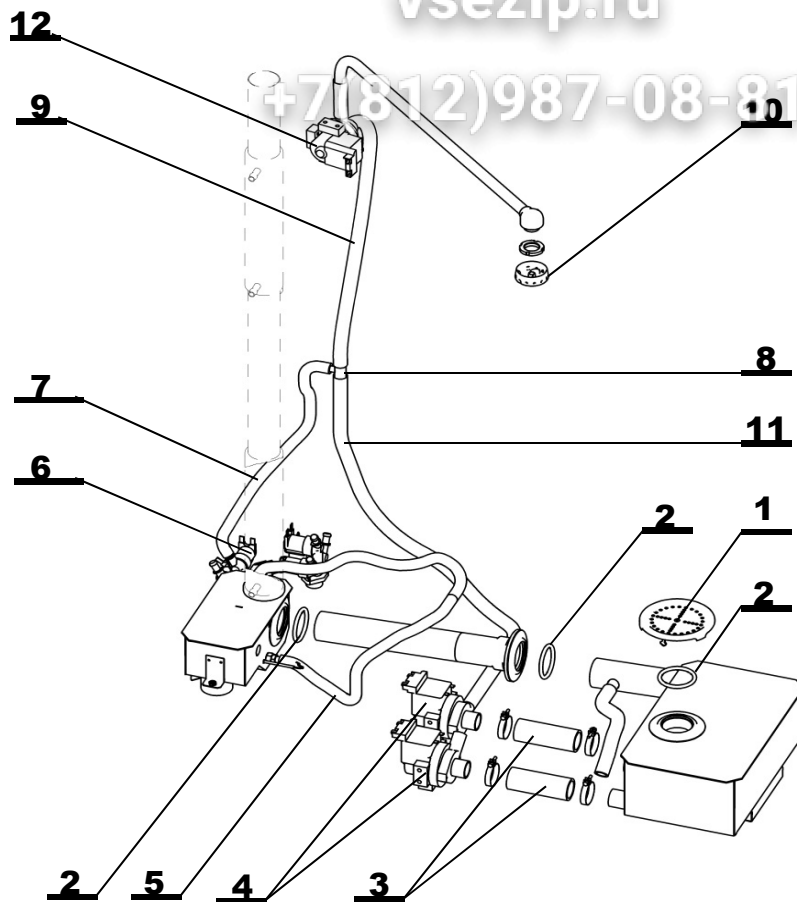
| Position | Code | Name | For type of combi steamer | | | |
|----------|-----------|-----------------------|---------------------------|--------|--------|--------|
| | | | B1221i | B1221b | O1221i | O1221b |
| 1 | AC32-1400 | CLEANING BOX 1221 | • | • | | |
| 2 | AT01-0013 | NOZZLE | • | • | | |
| 3 | AT26-0012 | HOSE VALVE-RED. VALVE | • | • | | |
| 4 | EA12-0056 | TRIPLE SOLENOID VALVE | • | • | | |
| 5 | ZA13-1549 | O-RING | • | • | | |
| 6 | AC02-2202 | DRAIN CAP | • | • | | |
| 7 | AA00-0030 | HOSE 70 mm BLACK | • | • | | |
| 8 | EA12-0001 | PUMP | • | • | | |
| 9 | AX04-0002 | SEAL ø 50 | • | • | | |
| 10 | AA26-0153 | HOSE 16/22 - 200 | • | • | | |

Автоматическая система очистки

ZIP ОБЩЕСТВО

vsezip.ru

+7 (812) 987-08-81



| Position | Code | Name | For type of combi steamer | | | |
|----------|-----------|------------------------|---------------------------|--------|--------|--------|
| | | | B1221i | B1221b | O1221i | O1221b |
| 1 | AC02-2202 | DRAIN CAP | • | • | | |
| 2 | ZA13-1549 | O-RING | • | • | | |
| 3 | AA00-0030 | HOSE 70 mm BLACK | • | • | | |
| 4 | EA12-0001 | PUMP | • | • | | |
| 5 | AT26-0012 | HOSE VALVE-RED. VALVE | • | • | | |
| 6 | EA12-0056 | TRIPLE SOLENOID VALVE | • | • | | |
| 7 | AA26-0100 | HOSE 10x3,6 - 440 | • | • | | |
| 8 | ZA10-0556 | T-FITTING TRS 18-10-18 | • | • | | |
| 9 | AA26-0154 | HOSE 16/22 - 600 | • | • | | |
| 10 | AT32-0052 | CLEANING NOZZLE | • | • | | |
| 11 | AA26-0159 | HOSE 16/22 - 800 | • | • | | |
| 12 | EA12-0001 | PUMP | • | • | | |
| | ZA14-0105 | PUMP COVER | • | • | | |

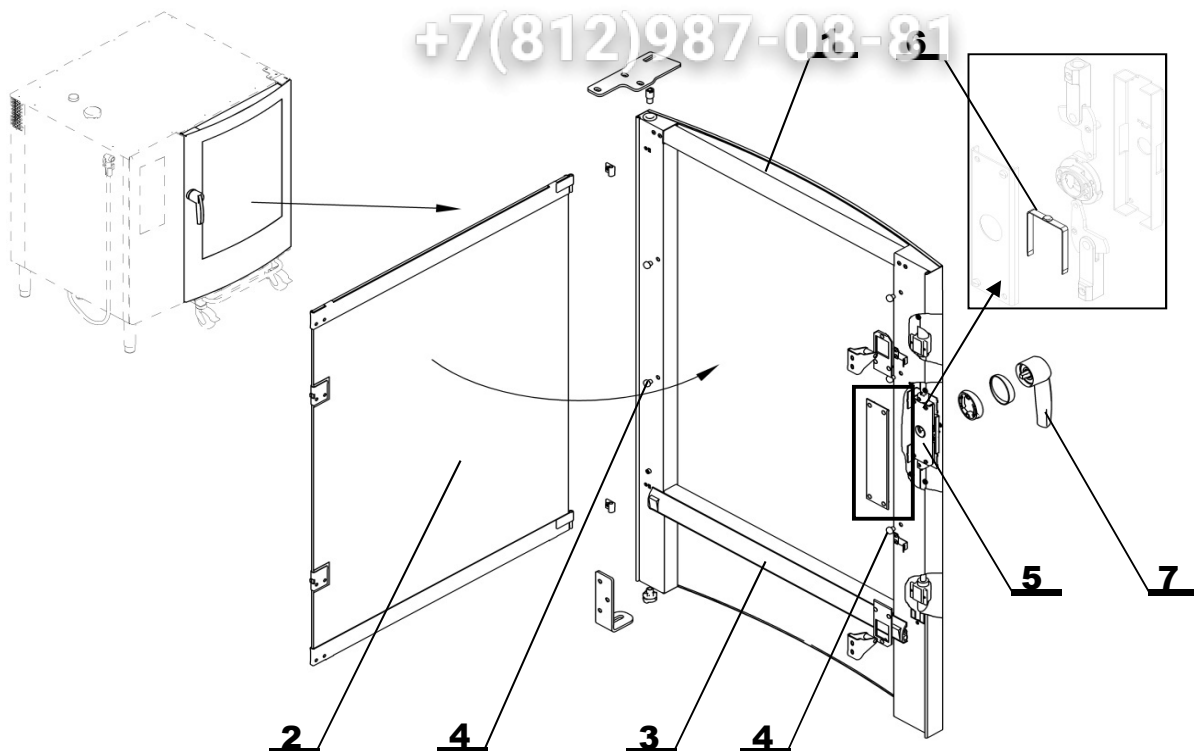
Note:

3ip Общепит

DOOR 1221 VISION

vsezip.ru

+7(812)987-08-81



| Position | Code | Name | For type of combi steamer | | | |
|----------|-----------|---------------------------------|---------------------------|--------|--------|--------|
| | | | B1221i | B1221b | O1221i | O1221b |
| 1 | AC03-3700 | DOOR 1221 - 07 VISION COMPLETE | • | • | • | • |
| 2 | AC03-3702 | INTERIOR GLASS 1221 - 07 VISION | • | • | • | • |
| 3 | AX03-0078 | DOOR SEAL 20,1221 TROLEY-VISION | • | • | • | • |
| 4 | AX03-0076 | WINDOW STOP | • | • | • | • |
| 5 | AC08-0201 | MECHANISM DA 20 | • | • | • | • |
| 6 | AC08-0208 | SPRING | • | • | • | • |
| 7 | AC08-0600 | HANDLE 20, 1221 Vision | • | • | • | • |
| | | | • | • | • | • |

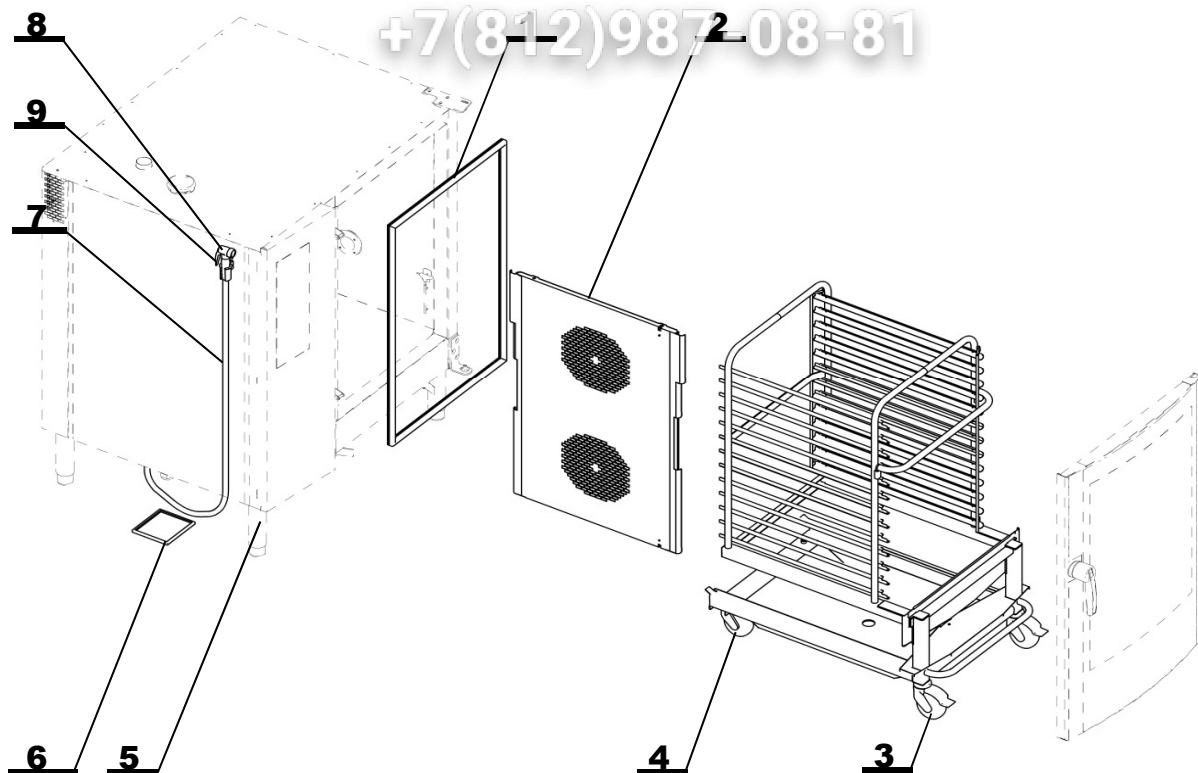
Note:

Зип-Общепит

ACCESSORIES

vsezip.ru

+7(812)987208-81



| Position | Code | Name | For type of combi steamer | | | |
|----------|-----------|---------------------------------------|---------------------------|--------|--------|--------|
| | | | B1221i | B1221b | O1221i | O1221b |
| 1 | AX00-0037 | DOOR SEAL 1221 VISION | • | • | • | • |
| 2 | AC14-2700 | INNER WALL 1221 - VISION (SINCE 2012) | • | • | • | • |
| 3 | ZA16-0004 | WHEEL WITH BRAKE | • | • | • | • |
| 4 | ZA16-0003 | WHEEL | • | • | • | • |
| 5 | ZA15-0008 | LEG 20 VISION | • | • | • | • |
| 6 | ZA17-0010 | AIR FILTER VISION | • | • | • | • |
| 7 | ZA11-0904 | RUBBER HOSE FOR SHOWER 2,1m | • | • | • | • |
| 8 | ZA15-0100 | SHOWER KLARCO | • | • | • | • |
| 9 | AT00-0002 | SHOWER HOLDER KLARCO | • | • | • | • |

Note:

Зип Общепит

vsezip.ru

+7(812)987-08-81

Зип Общепит



RETIGO s.r.o.
Láň 2310, PS43
756 64 Rožnov pod Radhoštěm
email: service@retigo.com
tel.: +420 571 665 561