

Зип Общепит

DESPIECE TECNICO

vsezip.ru

+7(812)987-08-81

Lavavajillas  
Lavevaisselle  
Dishwasher  
Geschirrspüler  
Lavastoviglie

Modelos:

AD-120

AD-120B

ADE-120

ADE-120B

*Diciembre 2009 December*

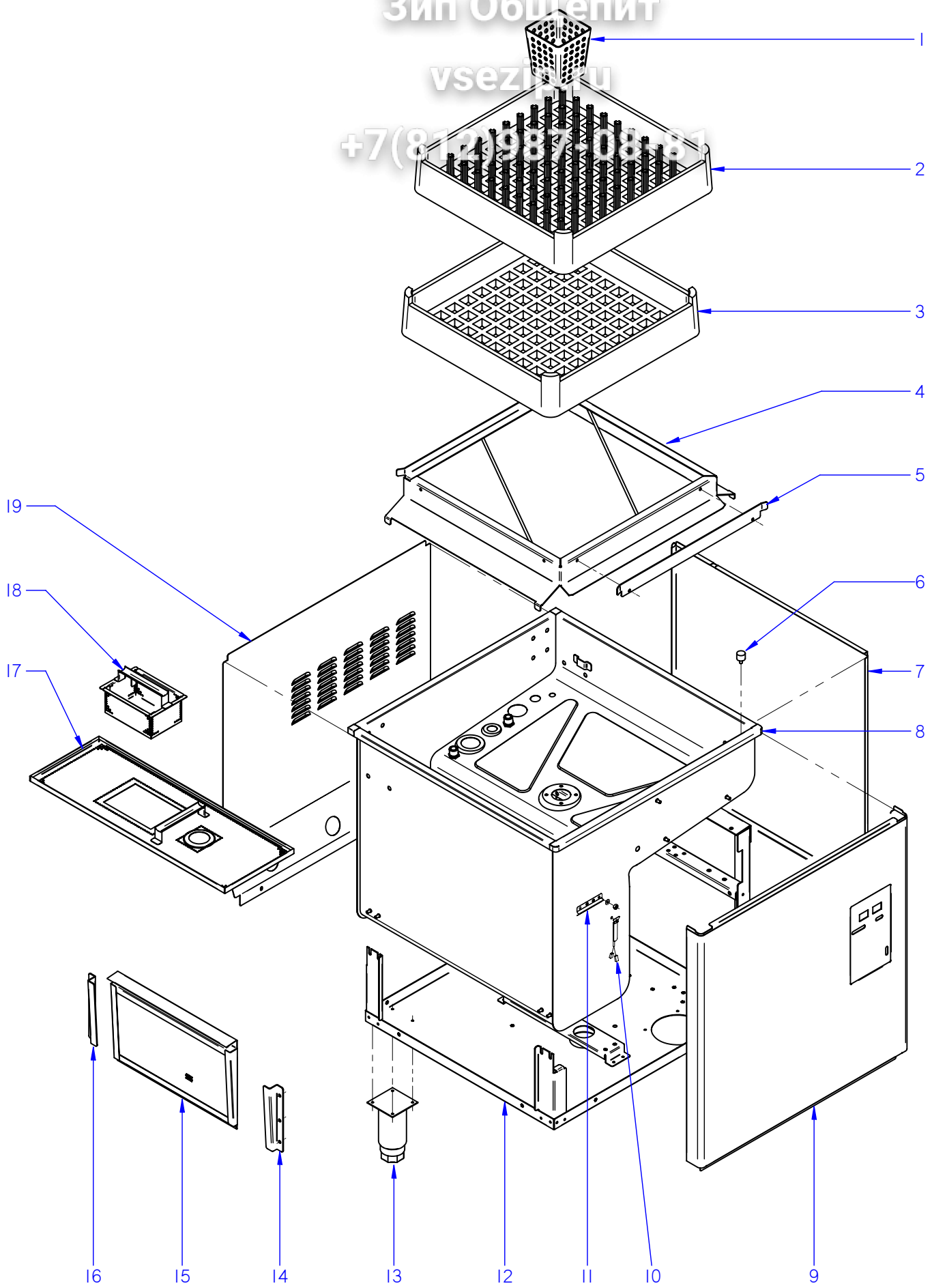


**Fagor Industrial**

Зип Общепит

vsezi.ru

+7(812)98710881



ITEM MARCADO EN COLOR = REPUESTO RECOMENDADO  
COLOURED ITEM = RECOMMENDED SPARE PART

|         |                    |         |                               |        |        |                                       |
|---------|--------------------|---------|-------------------------------|--------|--------|---------------------------------------|
| N plano | Firma              | Fecha   | Aparato                       | MUEBLE | Lamina | Fagor Industrial S.Coop. <b>FAGOR</b> |
| C-2485  | <i>[Signature]</i> | 2009-12 | LAVAVAJILLAS AD-120 / ADE-120 |        | 1      | Oñate                                 |

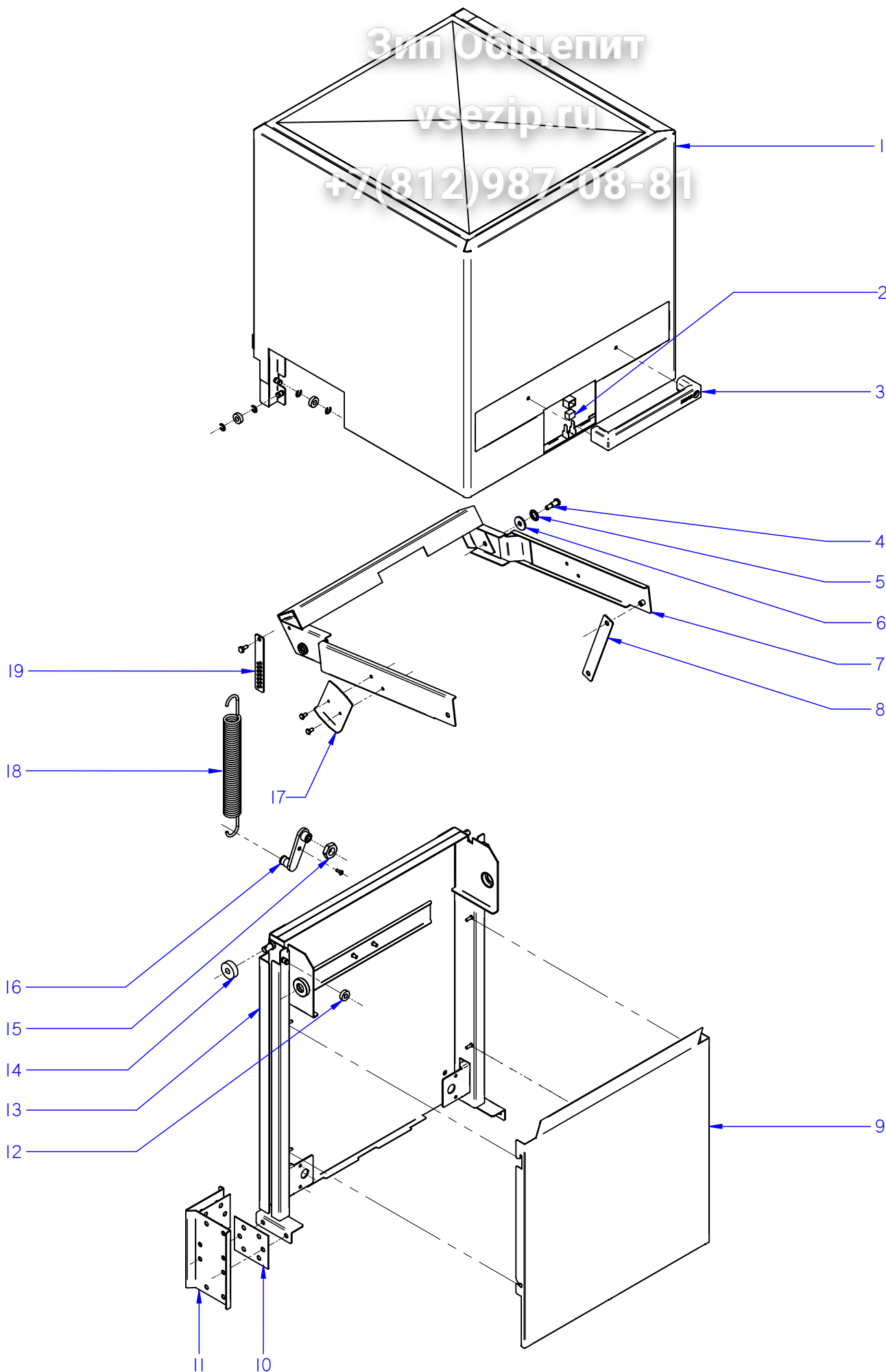
| MOD. |            | LAVAVAJILLAS DE CAPOTA      |                           | ZONA   |         | MUEBLE  |          |  |  |
|------|------------|-----------------------------|---------------------------|--------|---------|---------|----------|--|--|
| ITEM | CODIGO     | DENOMINACION                | TEXTO                     | AD-120 | AD-120B | ADE-120 | ADE-120B |  |  |
| 1    | Z655314000 | CESTILLO CUBIERTOS          | CUTLERY BASKET            | 8      | 8       | 8       | 8        |  |  |
| 2    | Z655302000 | CESTILLO PLATOS CP-16-18    | PLATE BASKET CP-16-18     | 2      | 2       | 2       | 2        |  |  |
| 3    | Z655301000 | CESTILLO BASE CT-10         | BASE BASKET CT-10         | 1      | 1       | 1       | 1        |  |  |
| 4    | Z710377000 | BASE CESTILLO COMPLETA      | COMPLETE BASKET BASE      | 1      | 1       | 1       | 1        |  |  |
| 5    | Z710326000 | GUIA CESTILLO               | BASKET GUIDE              | 1      | 1       | 1       | 1        |  |  |
|      | Q152004000 | TORNILLO APLAST. M5x13 A304 | MUSHROOM HEAD BOLT M5x13  | 2      | 2       | 2       | 2        |  |  |
|      | Q242030000 | ARANDELA ABANICO A5 A.304   | FAN WASHER A5 A.304       | 2      | 2       | 2       | 2        |  |  |
|      | Q162030000 | TUERCA EXAGONAL M5          | HEXAGONAL NUT M5          | 2      | 2       | 2       | 2        |  |  |
|      | Q308000000 | ARANDELA DUBO A.8           | DUBO A.8 WASHER           | 14     | 14      | 14      | 14       |  |  |
| 6    | Z710316000 | AMORTIGUADOR                | DAMPER                    | 2      | 2       | 2       | 2        |  |  |
|      | Q262040000 | ARANDELA GROW. A6 A.304     | WASHER GROW. A6 A.304     | 2      | 2       | 2       | 2        |  |  |
|      | Q162040000 | TUERCA EXAGONAL M6          | HEXAGONAL NUT M6          | 2      | 2       | 2       | 2        |  |  |
|      | Q012073000 | TORNILLO EXAGONAL M12x20    | HEXAGONAL BOLT M12x20     | 1      | 1       | 1       | 1        |  |  |
|      | Q306024000 | JUNTA 18x12.2x1.5           | SEAL 18x12.2x1.5          | 1      | 1       | 1       | 1        |  |  |
|      | Q162070000 | TUERCA EXAGONAL M12         | HEXAGONAL NUT M12         | 1      | 1       | 1       | 1        |  |  |
| 7    | Z749311000 | PANEL LATERAL DERECHO       | RIGHT SIDE PANEL          | 1      | 1       | 1       | 1        |  |  |
|      | Q152004000 | TORNILLO APLAST. M5x13 A304 | MUSHROOM HEAD BOLT M5x13  | 2      | 2       | 2       | 2        |  |  |
| S/Nº | Z749312000 | PANEL LATERAL IZQUIERDO     | LEFT SIDE PANEL           | 1      | 1       | 1       | 1        |  |  |
|      | Q152004000 | TORNILLO APLAST. M5x13 A304 | MUSHROOM HEAD BOLT M5x13  | 2      | 2       | 2       | 2        |  |  |
| 8    | Z710378000 | CUBA COMPLETA AD-100-120    | COMPLETE TUB AD-100-120   | 1      | 1       | 1       | 1        |  |  |
|      | Q232040000 | ARANDELA A6                 | WASHER A6                 | 4      | 4       | 4       | 4        |  |  |
|      | Q302022000 | ARANDELA 16x6x1.2 A.304     | WASHER 16X6X1.2 A.304     | 4      | 4       | 4       | 4        |  |  |
|      | Q262040000 | ARANDELA GROW. A6 A.304     | WASHER GROW. A6 A.304     | 8      | 8       | 8       | 8        |  |  |
|      | Q162040000 | TUERCA EXAGONAL M6          | HEXAGONAL NUT M6          | 8      | 8       | 8       | 8        |  |  |
| 9    | Z712937000 | PANEL FRONTAL AD-80-100-120 | FRONT PANEL AD-80-100-120 | 1      | 1       | 1       | 1        |  |  |
| 10   | Z713028000 | SONDAS TEMPERATURA GICAR    | GICAR TEMPERATURE GAUGE   | 1      | 1       | 1       | 1        |  |  |
| S/Nº | Z718004000 | AMARRE SONDA                | PROBE FASTENING           | 1      | 1       | 1       | 1        |  |  |
|      | Q242020000 | ARANDELA ABANICO A.4 A304   | FAN WASHER A.4 A304       | 1      | 1       | 1       | 1        |  |  |
|      | Q162020000 | TUERCA EXAGONAL M4          | HEXAGONAL NUT M4          | 1      | 1       | 1       | 1        |  |  |
|      |            |                             |                           |        |         |         |          |  |  |
|      |            |                             |                           |        |         |         |          |  |  |

| MOD. | LAVAVAJILLAS DE CAPOTA | ZONA                         | MUEBLE                      |        |         |         |          |
|------|------------------------|------------------------------|-----------------------------|--------|---------|---------|----------|
| ITEM | CODIGO                 | DENOMINACION                 | TEXTO                       | AD-120 | AD-120B | ADE-120 | ADE-120B |
| 11   | Z748008000             | SOPORTE BULBO TERMOSTATO     | THERMOSTAT BULB SUPPORT     | 1      | 1       | 1       | 1        |
|      | Q162040000             | TUERCA EXAGONAL M6           | HEXAGONAL NUT M6            | 2      | 2       | 2       | 2        |
|      | Q232040000             | ARANDELA A6                  | WASHER A6                   | 2      | 2       | 2       | 2        |
|      | Q262040000             | ARANDELA GROW. A6 A.304      | WASHER GROW. A6 A.304       | 2      | 2       | 2       | 2        |
| 12   | Z749303000             | ARMAZON COMPLETO             | COMPLETE FRAME              | 1      | 1       | 1       | 1        |
| 13   | X260151000             | PATA REGULABLE               | ADJUSTABLE LEG              | 4      | 4       | 4       | 4        |
|      | Q411304000             | REMACHE AVIBULB Ø4,8         | AVIBULB RIVET Ø4.8          | 16     | 16      | 16      | 16       |
| 14   | Z710309000             | GUIA FILTRO ANTERIOR         | FRONT FILTER GUIDE          | 1      | 1       | 1       | 1        |
|      | Q232040000             | ARANDELA A6                  | WASHER A6                   | 2      | 2       | 2       | 2        |
|      | Q162040000             | TUERCA EXAGONAL M6           | HEXAGONAL NUT M6            | 2      | 2       | 2       | 2        |
| 15   | Z710907000             | FILTRO COMPLETO              | COMPLETE FILTER             | 1      | 1       | 1       | 1        |
| 16   | Z710310000             | GUIA FILTRO POSTERIOR        | REAR FILTER GUIDE           | 1      | 1       | 1       | 1        |
|      | Q232040000             | ARANDELA A6                  | WASHER A6                   | 2      | 2       | 2       | 2        |
|      | Q162040000             | TUERCA EXAGONAL M6           | HEXAGONAL NUT M6            | 2      | 2       | 2       | 2        |
| 17   | Z710801000             | BANDEJA COMPLETA             | COMPLETE TRAY               | 1      | 1       | 1       | 1        |
| 18   | Z710804000             | RECOGEDOR DESPERDICIOS       | WASTE COLLECTION            | 1      | 1       | 1       | 1        |
| 19   | Z742905000             | PANEL POSTERIOR FI-80        | REAR PANEL FI-80            | 1      | 1       | 1       | 1        |
|      | 3713500000             | PERFIL CUBREARISTAS PLASTICO | PLASTIC EDGE COVER PROFILE  | 3      | 3       | 3       | 3        |
|      | Q152004000             | TORNIL, APLASTADO M5x13 A304 | FLAT HEADED BOLT M5x13 A304 | 2      | 2       | 2       | 2        |
|      | Z712911000             | TOPE 80x80x20                | BUFFER 80x80x20             | 6      | 6       | 6       | 6        |
|      |                        |                              |                             |        |         |         |          |
|      |                        |                              |                             |        |         |         |          |
|      |                        |                              |                             |        |         |         |          |
|      |                        |                              |                             |        |         |         |          |
|      |                        |                              |                             |        |         |         |          |
|      |                        |                              |                             |        |         |         |          |
|      |                        |                              |                             |        |         |         |          |
|      |                        |                              |                             |        |         |         |          |
|      |                        |                              |                             |        |         |         |          |
|      |                        |                              |                             |        |         |         |          |
|      |                        |                              |                             |        |         |         |          |
|      |                        |                              |                             |        |         |         |          |

Зип Общепит

vsezip.ru

+7(812)987-08-81



ITEM MARCADO EN COLOR = REPUESTO RECOMENDADO  
COLOURED ITEM = RECOMMENDED SPARE PART

|         |                    |         |                               |      |        |                                       |
|---------|--------------------|---------|-------------------------------|------|--------|---------------------------------------|
| N plano | Firma              | Fecha   | Aparato                       | CAPO | Lamina | Fagor Industrial S.Coop. <b>FAGOR</b> |
| C-2486  | <i>(Signature)</i> | 2009-12 | LAVAVAJILLAS AD-120 / ADE-120 |      | 2      | Oñate                                 |

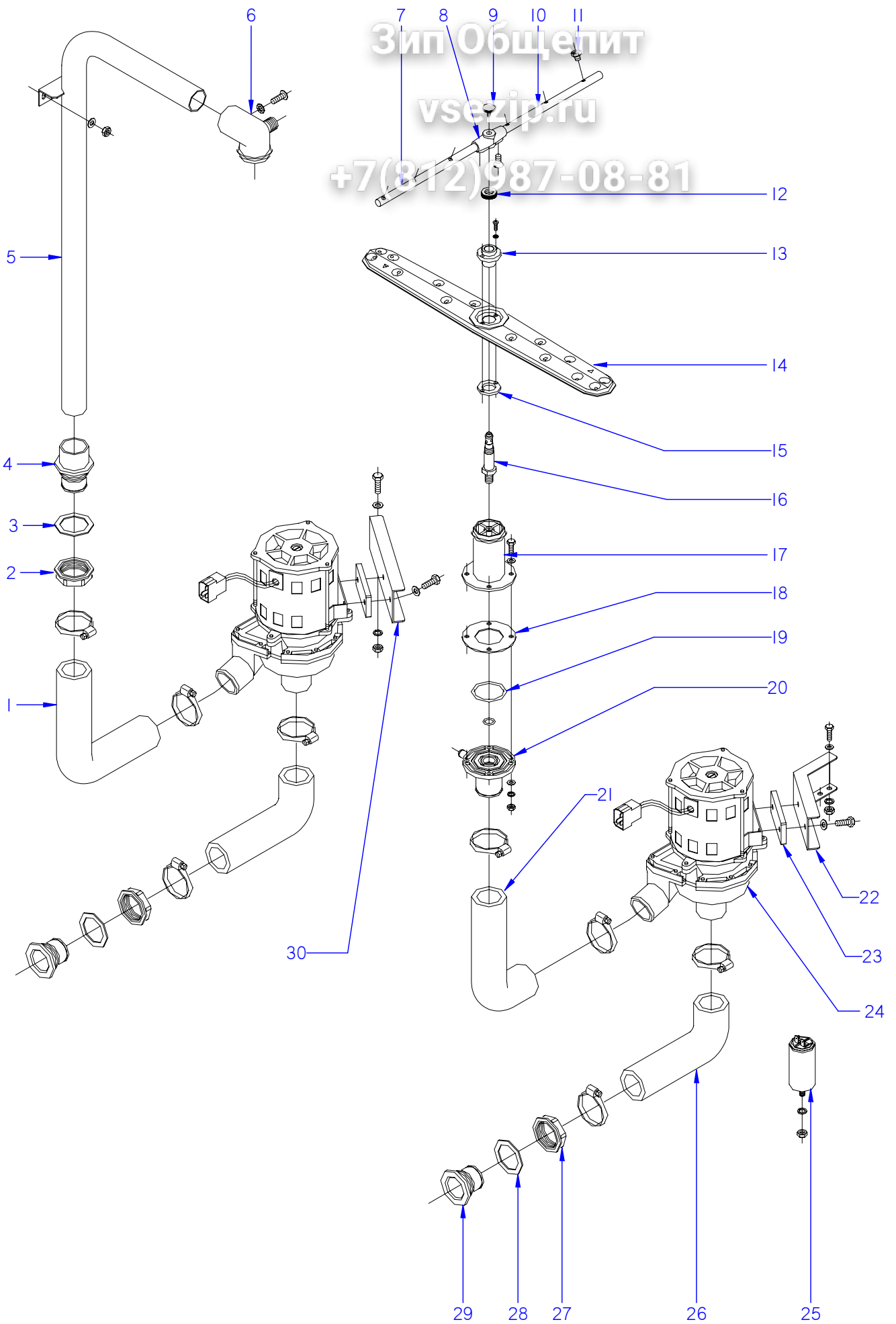
| MOD. |            | LAVAVAJILLAS DE CAPOTA        | ZONA                        | CAPO   |         |         |          |  |
|------|------------|-------------------------------|-----------------------------|--------|---------|---------|----------|--|
| ITEM | CODIGO     | DENOMINACION                  | TEXTO                       | AD-120 | AD-120B | ADE-120 | ADE-120B |  |
| 1    | Z740505000 | CAPO RECTO COMPLETO           | COMPLETE STRAIGHT HOOD      | 1      | 1       | 1       | 1        |  |
|      | Z710515000 | CASQUILLO RODANTE             | REVOLVING BUSHING           | 4      | 4       | 4       | 4        |  |
|      | Q271006000 | ARANDELA DE SEGURIDAD 8       | SAFETY WASHER 8             | 8      | 8       | 8       | 8        |  |
| 2    | Z200506000 | IMAN                          | MAGNET                      | 1      | 1       | 1       | 1        |  |
| S/Nº | Z200507000 | PROTECTOR IMAN                | MAGNET PROTECTOR            | 1      | 1       | 1       | 1        |  |
| 3    | Z710558000 | ASA CAPOTA AD                 | AD HOOD HANDLE              | 1      | 1       | 1       | 1        |  |
|      | Q032041000 | TORNILLO ALOMADO M6x10        | CURVED SCREW M6x10          | 2      | 2       | 2       | 2        |  |
|      | Q308002000 | ARANDELA DUBO A6 NYLON        | WASHER DUBO A6 NYLON        | 2      | 2       | 2       | 2        |  |
| 4    | Z710542000 | EJE DE GIRO                   | ROTARY SHAFT                | 2      | 2       | 2       | 2        |  |
| 5    | Z710541000 | RODAMIENTO 6200-2RS1          | BEARING 6200-2RS1           | 2      | 2       | 2       | 2        |  |
| 6    | Q308012000 | ARANDELA 30x10x3              | WASHER 30x10x3              | 2      | 2       | 2       | 2        |  |
| 7    | Z710517000 | BALANCIN COMPLETO             | COMPLETE ROCKER ARM         | 1      | 1       | 1       | 1        |  |
|      | Q232050000 | ARANDELA A8                   | WASHER A8                   | 2      | 2       | 2       | 2        |  |
|      | Q262050000 | ARANDELA GROW. A8 A.304       | WASHER GROW. A8 A.304       | 2      | 2       | 2       | 2        |  |
|      | Q162050000 | TUERCA EXAGONAL M8x1 INOX.    | HEXAGONAL NUT M8x1 INOX.    | 2      | 2       | 2       | 2        |  |
| 8    | Z710523000 | BIELA                         | ROD                         | 2      | 2       | 2       | 2        |  |
|      | Q308012000 | ARANDELA 30x10x3              | WASHER 30x10x3              | 8      | 8       | 8       | 8        |  |
|      | Q232040000 | ARANDELA A6                   | WASHER A6                   | 4      | 4       | 4       | 4        |  |
|      | Q262040000 | ARANDELA GROW. A6 A.304       | WASHER GROW. A6 A.304       | 4      | 4       | 4       | 4        |  |
|      | Q012041000 | TORNILLO EXAGON. M6x10 A.304  | HEXAGONAL BOLT. M6x10 A.304 | 4      | 4       | 4       | 4        |  |
| 9    | Z718932000 | CUBIERTA RESORTES CLINIC      | SPRING COVER                | 1      | 1       | 1       | 1        |  |
| 10   | Z710547000 | JUNTA SOPORTE CAPO            | HOOD SUPPORT SEAL           | 4      | 4       | 4       | 4        |  |
|      | Q012053000 | TORNILLO EXAGON. M8x20 A.304  | HEXAGONAL BOLT. M8x20 A.304 | 10     | 10      | 10      | 10       |  |
|      | Q013153000 | TORNILLO EX M-8x20 LATON GRO. | HEX BOLT M-8x20 CHR. BRASS  | 4      | 4       | 4       | 4        |  |
|      | Q232050000 | ARANDELA A8                   | WASHER A8                   | 14     | 14      | 14      | 14       |  |
|      | Q262050000 | ARANDELA GROW. A8 A.304       | WASHER GROW. A8 A.304       | 14     | 14      | 14      | 14       |  |
|      | Q162050000 | TUERCA EXAG. M8x1 INOX.       | HEXAG. SCREW M8x1 STAINLES  | 10     | 10      | 10      | 10       |  |
| 11   | Z710539000 | SOPORTE GUIA CAPO             | HOOD GUIDE SUPPORT          | 2      | 2       | 2       | 2        |  |
| 12   | Z710515000 | CASQUILLO RODANTE             | REVOLVING BUSHING           | 2      | 2       | 2       | 2        |  |
|      | Q271006000 | ARANDELA DE SEGURIDAD 8       | SAFETY WASHER 8             | 4      | 4       | 4       | 4        |  |

|             |                               |             |             |  |  |  |
|-------------|-------------------------------|-------------|-------------|--|--|--|
| <b>MOD.</b> | <b>LAVAVAJILLAS DE CAPOTA</b> | <b>ZONA</b> |             |  |  |  |
|             |                               |             | <b>CAPO</b> |  |  |  |

| ITEM | CODIGO     | DENOMINACION                 | TEXTO                       | AD-120 | AD-120B | ADE-120 | ADE-120B |
|------|------------|------------------------------|-----------------------------|--------|---------|---------|----------|
| 13   | Z710524000 | GUIA CAPO COMPLETA           | COMPLETE HOOD GUIDE         | 1      | 1       | 1       | 1        |
|      | Q352024000 | PASADOR DE ALETA 4x25        | WING PIN 4x25               | 2      | 2       | 2       | 2        |
| 14   | Z710546000 | CASQUILLO                    | BUSHING                     | 2      | 2       | 2       | 2        |
| 15   | Q222016000 | TUERCA EXAGONAL M20          | HEXAGONAL BOLT M20          | 2      | 2       | 2       | 2        |
| 16   | Z710529000 | TENSOR MUELLE                | TENSIONING SPRING           | 2      | 2       | 2       | 2        |
|      | Q152004000 | TORNILLO APLAST. M5x13 A 304 | MUSHROOM HEAD BOLT M5x13    | 2      | 2       | 2       | 2        |
| 17   | Z710548000 | ESCUADRA TOPE                | BUFFER BRACKET              | 2      | 2       | 2       | 2        |
|      | Q012041000 | TORNILLO EXAGON. M6X10 A.304 | HEXAGONAL BOLT. M6X10 A.304 | 4      | 4       | 4       | 4        |
|      | Q242040000 | ARANDELA ABANICO             | FAN WASHER                  | 4      | 4       | 4       | 4        |
| 18   | Z710528000 | RESORTE 29230                | SPRING 29230                | 2      | 2       | 2       | 2        |
| 19   | Z710543000 | ENGANCHE MUELLE              | SPRING HOOK                 | 2      | 2       | 2       | 2        |
|      | Z710544000 | EJE ENGANCHE MUELLE          | SPRING HOOK SHAFT           | 2      | 2       | 2       | 2        |
|      | Q232040000 | ARANDELA A6                  | WASHER A6                   | 2      | 2       | 2       | 2        |
|      | Q222012000 | TUERCA AUTOB. M6             | SELF-LOCK NUT M6            | 2      | 2       | 2       | 2        |
|      |            |                              |                             |        |         |         |          |
|      |            |                              |                             |        |         |         |          |
|      |            |                              |                             |        |         |         |          |
|      |            |                              |                             |        |         |         |          |
|      |            |                              |                             |        |         |         |          |
|      |            |                              |                             |        |         |         |          |
|      |            |                              |                             |        |         |         |          |
|      |            |                              |                             |        |         |         |          |
|      |            |                              |                             |        |         |         |          |
|      |            |                              |                             |        |         |         |          |
|      |            |                              |                             |        |         |         |          |
|      |            |                              |                             |        |         |         |          |
|      |            |                              |                             |        |         |         |          |
|      |            |                              |                             |        |         |         |          |

Зип Общепит  
vsezip.ru

+7(812)987-08-81



ITEM MARCADO EN COLOR = REPUESTO RECOMENDADO  
COLOURED ITEM = RECOMMENDED SPARE PART

|         |                    |         |                               |                           |        |                                       |
|---------|--------------------|---------|-------------------------------|---------------------------|--------|---------------------------------------|
| N plano | Firma              | Fecha   | Aparato                       | CONJUNTO FUNCIONAL LAVADO | Lamina | Fagor Industrial S.Coop. <b>FAGOR</b> |
| C-2487  | <i>[Signature]</i> | 2009-12 | LAVAVAJILLAS AD-120 / ADE-120 | 3                         | Oñate  |                                       |



| MOD. |            | LAVAVAJILLAS DE CAPOTA        |                            | ZONA   |         | CONJUNTO FUNCIONAL DE LAVADO |          |  |  |
|------|------------|-------------------------------|----------------------------|--------|---------|------------------------------|----------|--|--|
| ITEM | CODIGO     | DENOMINACION                  | TEXTO                      | AD-120 | AD-120B | ADE-120                      | ADE-120B |  |  |
| 1    | Z710906000 | CONDUCTO IMPULSION POSTER.    | REAR IMPULSE PIPE          | 1      | 1       | 1                            | 1        |  |  |
|      | Q881307000 | ABRAZADERA 40-60              | CLAMP 40-60                | 2      | 2       | 2                            | 2        |  |  |
| 2    | Z710708000 | TUERCA PASAMUROS              | WALL BUSHING NUT           | 1      | 1       | 1                            | 1        |  |  |
| 3    | Q307058000 | ARANDELA 60x44x2              | WASHER 60x44x2             | 1      | 1       | 1                            | 1        |  |  |
| 4    | Z330790000 | PASAMUROS IMPULSION PRELAV.   | PREWASH IMPULSE BUSHING    | 1      | 1       | 1                            | 1        |  |  |
| 5    | Z710709000 | ARBOL LAVADO COMPLETO         | COMPLETE WASH CAM          | 1      | 1       | 1                            | 1        |  |  |
|      | Q232040000 | ARANDELA A6                   | WASHER A6                  | 2      | 2       | 2                            | 2        |  |  |
|      | Q162040000 | TUERCA EXAGONAL M6            | HEXAGONAL NUT M6           | 2      | 2       | 2                            | 2        |  |  |
| 6    | Z710705000 | SOPORTE DISTRIBUIDOR SUPER.   | UPPER DISTRIBUTION SUPPORT | 1      | 1       | 1                            | 1        |  |  |
|      | Q152004000 | TORNILLO APLAST. M5x13 A.304  | MUSHROOM HEAD BOLT M5x13 A | 1      | 1       | 1                            | 1        |  |  |
|      | Q242030000 | ARANDELA ABANICO A5 A.304     | FAN WASHER A5 A.304        | 1      | 1       | 1                            | 1        |  |  |
| 7    | Z201902000 | RAMA ACLARADO IZQUIERDA       | LEFT RINSE BRANCH          | 2      | 2       | 2                            | 2        |  |  |
| 8    | Z201903000 | SOPORTE RAMA ACLARADO COM.    | COM. RINSE BRANCH SUPPORT  | 2      | 2       | 2                            | 2        |  |  |
|      | Q042021000 | TORNILLO AVELLAN. M4x10 A304  | COUNTERSUNK BOLT M4x10 A30 | 4      | 4       | 4                            | 4        |  |  |
| 9    | Q152016000 | TORNILLO ESPECIAL M.5x0.8     | SPECIAL BOLT M.5X0.8       | 2      | 2       | 2                            | 2        |  |  |
| 10   | Z201901000 | RAMA ACLARADO DERECHA         | RIGHT RINSE BRANCH         | 2      | 2       | 2                            | 2        |  |  |
| 11   | Z211903000 | TOBERA ACLARADO               | RINSE NOZZLE               | 12     | 12      | 12                           | 12       |  |  |
| 12   | Z680738000 | TUERCA ESPECIAL               | SPECIAL NUT                | 2      | 2       | 2                            | 2        |  |  |
| 13   | Z710712000 | CASQUILLO DISTRIBUIDOR        | DISTRIBUTOR BUSHING        | 2      | 2       | 2                            | 2        |  |  |
|      | Q032011000 | TORNILLO ALOMADO M3x10        | CURVED SCREW M3X10         | 4      | 4       | 4                            | 4        |  |  |
|      | Q242010000 | ARANDELA ABANICO A3 A.304     | FAN WASHER A3 A.304        | 4      | 4       | 4                            | 4        |  |  |
| 14   | Z710701000 | DISTRIBUIDOR COMPLETO         | COMPLETE DISTRIBUTOR       | 2      | 2       | 2                            | 2        |  |  |
| 15   | Z710713000 | ARANDELA AMARRE               | ANCHORAGE WASHER           | 2      | 2       | 2                            | 2        |  |  |
| 16   | Z710711000 | EJE CENTRAL                   | CENTRAL SHAFT              | 2      | 2       | 2                            | 2        |  |  |
| 17   | Z710704000 | SOPORTE DISTRIBUIDOR INFER.   | LOWER DISTRIBUTION SUPPORT | 1      | 1       | 1                            | 1        |  |  |
| 18   | Z710714000 | JUNTA DE GOMA                 | RUBBER SEAL                | 1      | 1       | 1                            | 1        |  |  |
| 19   | Q307057000 | JUNTA TORICA 47.22x54.28x3.53 | O-RING 47.22x54.28x3.53    | 1      | 1       | 1                            | 1        |  |  |
|      | Q307050000 | JUNTA TORICA 13.94x19.18x2.6  | O-RING 13.94x19.18x2.6     | 1      | 1       | 1                            | 1        |  |  |
|      |            |                               |                            |        |         |                              |          |  |  |
|      |            |                               |                            |        |         |                              |          |  |  |
|      |            |                               |                            |        |         |                              |          |  |  |

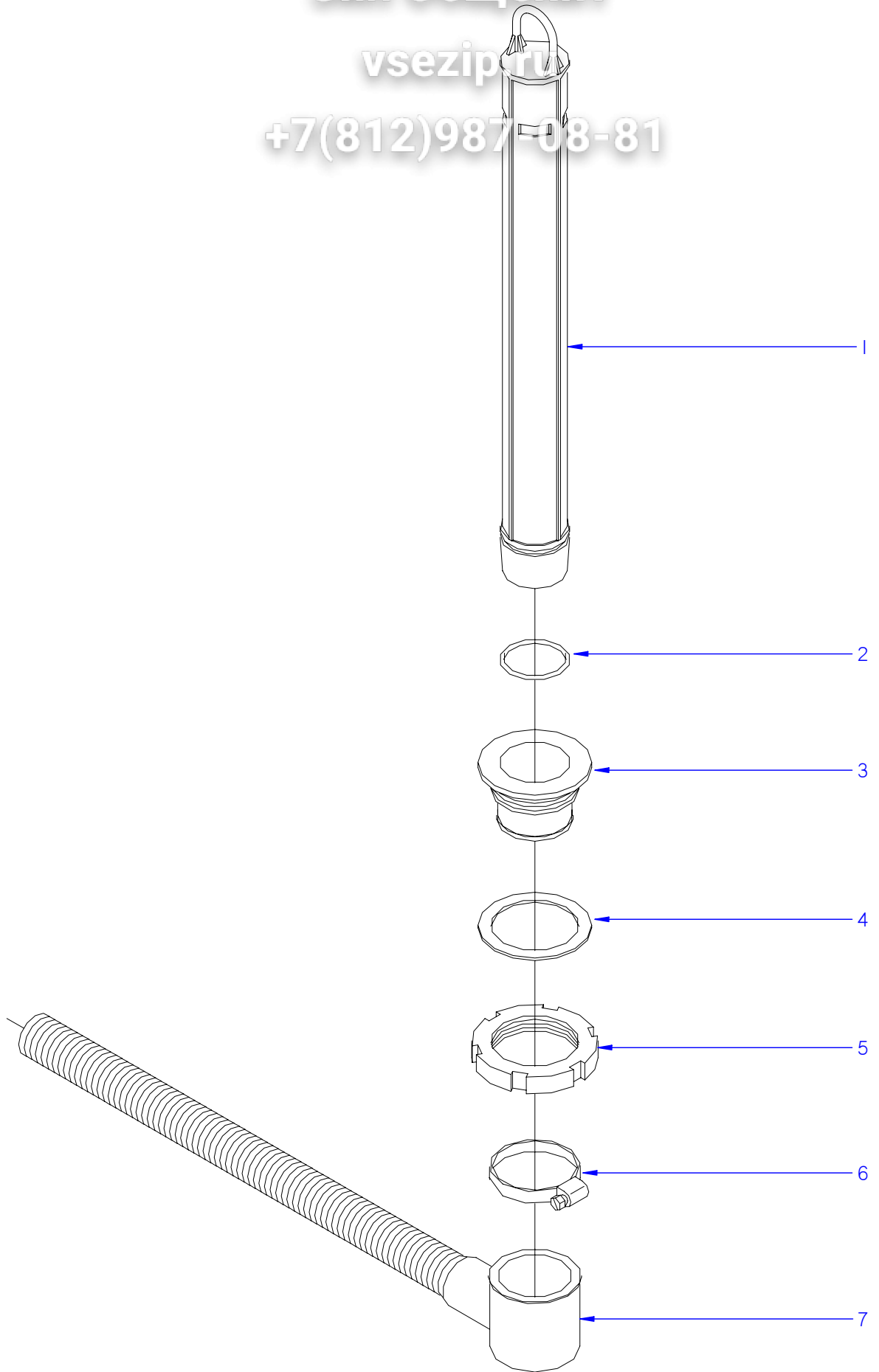
|      |                        |      |                              |
|------|------------------------|------|------------------------------|
| MOD. | LAVAVAJILLAS DE CAPOTA | ZONA | CONJUNTO FUNCIONAL DE LAVADO |
|------|------------------------|------|------------------------------|

| ITEM | CODIGO     | DENOMINACION               | TEXTO                    | AD-120 | AD-120B | ADE-120 | ADE-120B |
|------|------------|----------------------------|--------------------------|--------|---------|---------|----------|
| 20   | Z710706000 | PASAMUROS                  | BUSHING                  | 1      | 1       | 1       | 1        |
|      | Q012044000 | TORNILLO EXAGONAL M6x25    | HEXAGONAL BOLT M6x25     | 4      | 4       | 4       | 4        |
|      | Q306050000 | ARANDELA 6x12x1.5          | WASHER 6x12x1.5          | 4      | 4       | 4       | 4        |
|      | Q232040000 | ARANDELA A6                | WASHER A6                | 4      | 4       | 4       | 4        |
|      | Q262040000 | ARANDELA GROW. A6 A.304    | WASHER GROW. A6 A.304    | 4      | 4       | 4       | 4        |
|      | Q162040000 | TUERCA EXAGONAL M6         | HEXAGONAL NUT M6         | 4      | 4       | 4       | 4        |
| 21   | Z710905000 | CONDUCTO IMPULSION ANTER.  | FRONT IMPULSE PIPE       | 1      | 1       | 1       | 1        |
|      | Q881307000 | ABRAZADERA 40-60           | CLAMP 40-60              | 2      | 2       | 2       | 2        |
| 22   | Z711001000 | SOPOR. MOTOBOMBA ANTERIOR  | SUPPORT FRONT MOTOR-PUMP | 1      | 1       | 1       | 1        |
|      | Q012042000 | TORNILLO EXAGONAL M6x15    | HEXAGONAL BOLT M6x15     | 2      | 2       | 2       | 2        |
|      | Q232040000 | ARANDELA A6                | WASHER A6                | 2      | 2       | 2       | 2        |
|      | Q262040000 | ARANDELA GROW. A6 A.304    | WASHER GROW. A6 A.304    | 2      | 2       | 2       | 2        |
|      | Q162040000 | TUERCA EXAGONAL M6         | HEXAGONAL NUT M6         | 2      | 2       | 2       | 2        |
| 23   | Z201003000 | BASE BOMBA LAVADO 1003016  | WASH PUMP BASE 1003016   | 2      | 2       | 2       | 2        |
|      | Q232040000 | ARANDELA A6                | WASHER A6                | 4      | 4       | 4       | 4        |
|      | Q012042000 | TORNILLO EXAGONAL M6x15    | HEXAGONAL BOLT M6x15     | 4      | 4       | 4       | 4        |
| 24   | Z201011000 | BOMBA DE LAVADO            | WASH PUMP                | 2      | 2       | 2       | 2        |
| 24   | Z203511000 | BOMBA DE LAVADO 60 HZ.     | WASH PUMP 60 Hz.         | 2      | 2       | 2       | 2        |
| 25   | V321300000 | CONDENSADOR 10 M,F,        | CONDENSER 10 M,F,        | 2      | 2       | 2       | 2        |
|      | Q162050000 | TUERCA EXAGONAL M8x1 INOX, | HEXAGONAL NUT M8x1 INOX. | 2      | 2       | 2       | 2        |
| 26   | Z710904000 | CONDUCTO ASPIRACION        | EXTRACTOR PIPE           | 2      | 2       | 2       | 2        |
|      | Q881307000 | ABRAZADERA 40-60           | CLAMP 40-60              | 4      | 4       | 4       | 4        |
| 27   | Z710708000 | TUERCA PASAMUROS           | WALL BUSHING NUT         | 2      | 2       | 2       | 2        |
| 28   | Q307058000 | ARANDELA 60x44x2           | WASHER 60x44x2           | 2      | 2       | 2       | 2        |
| 29   | Z710903000 | PASAMUROS ASPIRACION       | EXTRACTOR BUSHING        | 2      | 2       | 2       | 2        |
| 30   | Z711002000 | SOPORTE MOTOBOMBA POSTER.  | REAR MOTOR PUMP SUPPORT  | 1      | 1       | 1       | 1        |
|      | Q012042000 | TORNILLO EXAGONAL M6x15    | HEXAGONAL BOLT M6x15     | 2      | 2       | 2       | 2        |
|      | Q232040000 | ARANDELA A6                | WASHER A6                | 2      | 2       | 2       | 2        |
|      | Q262040000 | ARANDELA GROW. A6 A.304    | WASHER GROW. A6 A.304    | 2      | 2       | 2       | 2        |
|      | Q162040000 | TUERCA EXAGONAL M6         | HEXAGONAL NUT M6         | 2      | 2       | 2       | 2        |

Зип Общежит

vsezip.ru

+7(812)987-08-81



ITEM MARCADO EN COLOR = REPUESTO RECOMENDADO  
COLOURED ITEM = RECOMMENDED SPARE PART

|         |                    |         |                              |                         |        |                                       |
|---------|--------------------|---------|------------------------------|-------------------------|--------|---------------------------------------|
| N plano | Firma              | Fecha   | Aparato                      | PARTE FUNCIONAL DESAGUE | Lamina | Fagor Industrial S.Coop. <b>FAGOR</b> |
| C-2488  | <i>(Signature)</i> | 2009-12 | LAVAVAJILLAS AD-120; ADE-120 | 4                       | Oñate  |                                       |

|             |                               |             |                                   |
|-------------|-------------------------------|-------------|-----------------------------------|
| <b>MOD.</b> | <b>LAVAVAJILLAS DE CAPOTA</b> | <b>ZONA</b> | <b>CONJUNTO FUNCIONAL DESAGÜE</b> |
|-------------|-------------------------------|-------------|-----------------------------------|

vsezip.ru

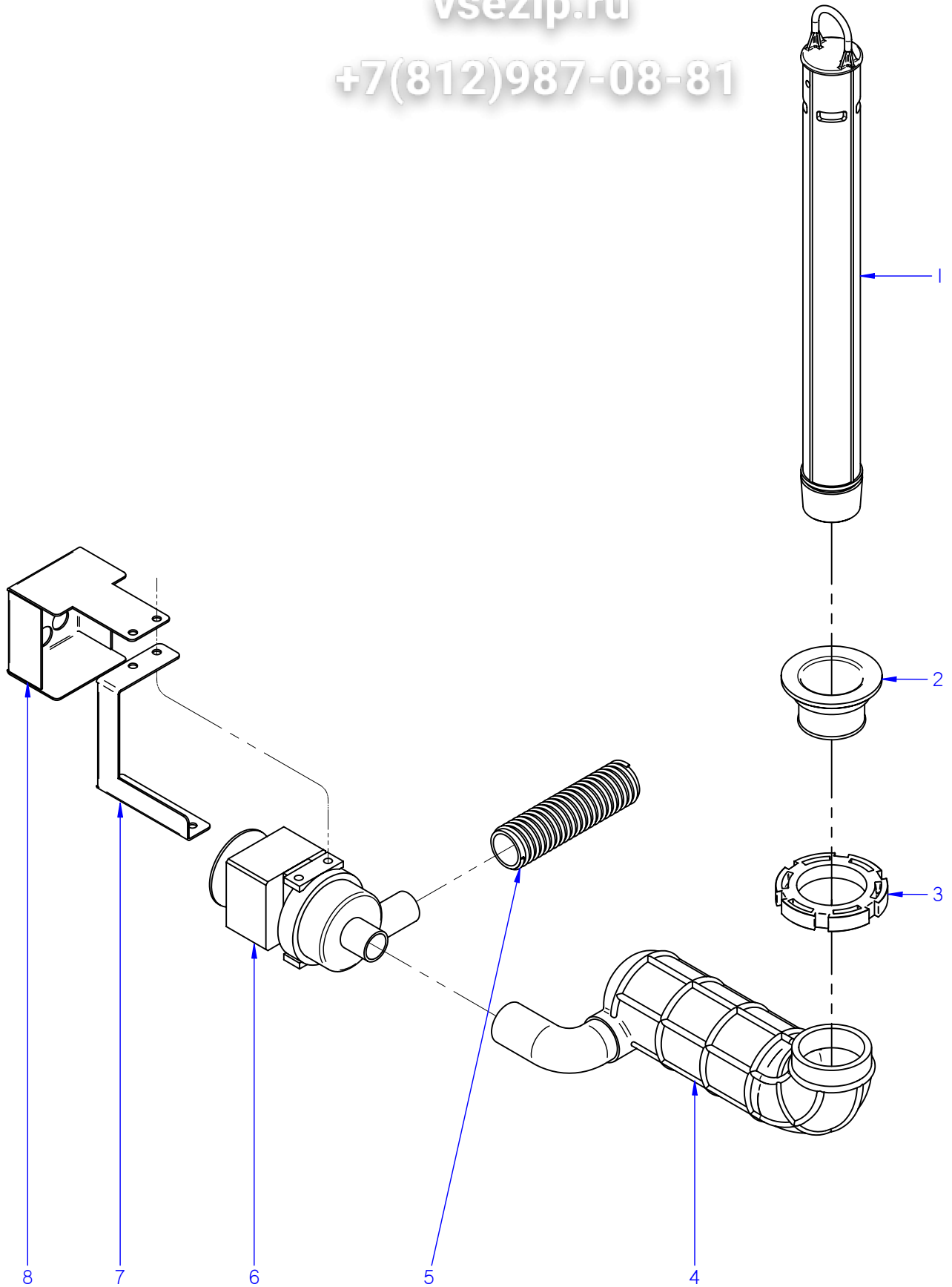
+7(812)987-08-81

| ITEM | CODIGO     | DENOMINACION              | TEXTO                  | AD-120 | ADE-120 |  |  |  |
|------|------------|---------------------------|------------------------|--------|---------|--|--|--|
| 1    | Z710901000 | ALIVIADERO                | OVERFLOW               | 1      | 1       |  |  |  |
| 2    | Q307051000 | JUNTA TOR.36.17X41.41X2.6 | O-RING 36.17X41.41X2.6 | 1      | 1       |  |  |  |
| 3    | Z710902000 | PASAMUROS DESAGUE         | DRAINAGE BUSHING       | 1      | 1       |  |  |  |
| 4    | Q307059000 | JUNTA 72x56x2             | SEAL 72x56x2           | 1      | 1       |  |  |  |
| 5    | Q220001000 | TUERCA RANURADA           | GROOVED NUT            | 1      | 1       |  |  |  |
| 6    | Q881307000 | ABRAZADERA 40-60          | CLAMP 40-60            | 1      | 1       |  |  |  |
| 7    | Z200910000 | MANGUERA DESAGUE          | DRAINAGE HOSE          | 1      | 1       |  |  |  |
|      |            |                           |                        |        |         |  |  |  |
|      |            |                           |                        |        |         |  |  |  |
|      |            |                           |                        |        |         |  |  |  |
|      |            |                           |                        |        |         |  |  |  |
|      |            |                           |                        |        |         |  |  |  |
|      |            |                           |                        |        |         |  |  |  |
|      |            |                           |                        |        |         |  |  |  |
|      |            |                           |                        |        |         |  |  |  |
|      |            |                           |                        |        |         |  |  |  |
|      |            |                           |                        |        |         |  |  |  |
|      |            |                           |                        |        |         |  |  |  |
|      |            |                           |                        |        |         |  |  |  |
|      |            |                           |                        |        |         |  |  |  |
|      |            |                           |                        |        |         |  |  |  |
|      |            |                           |                        |        |         |  |  |  |
|      |            |                           |                        |        |         |  |  |  |
|      |            |                           |                        |        |         |  |  |  |
|      |            |                           |                        |        |         |  |  |  |


Зип Общепит

vsezip.ru

+7(812)987-08-81



ITEM MARCADO EN COLOR = REPUESTO RECOMENDADO  
COLOURED ITEM = RECOMMENDED SPARE PART

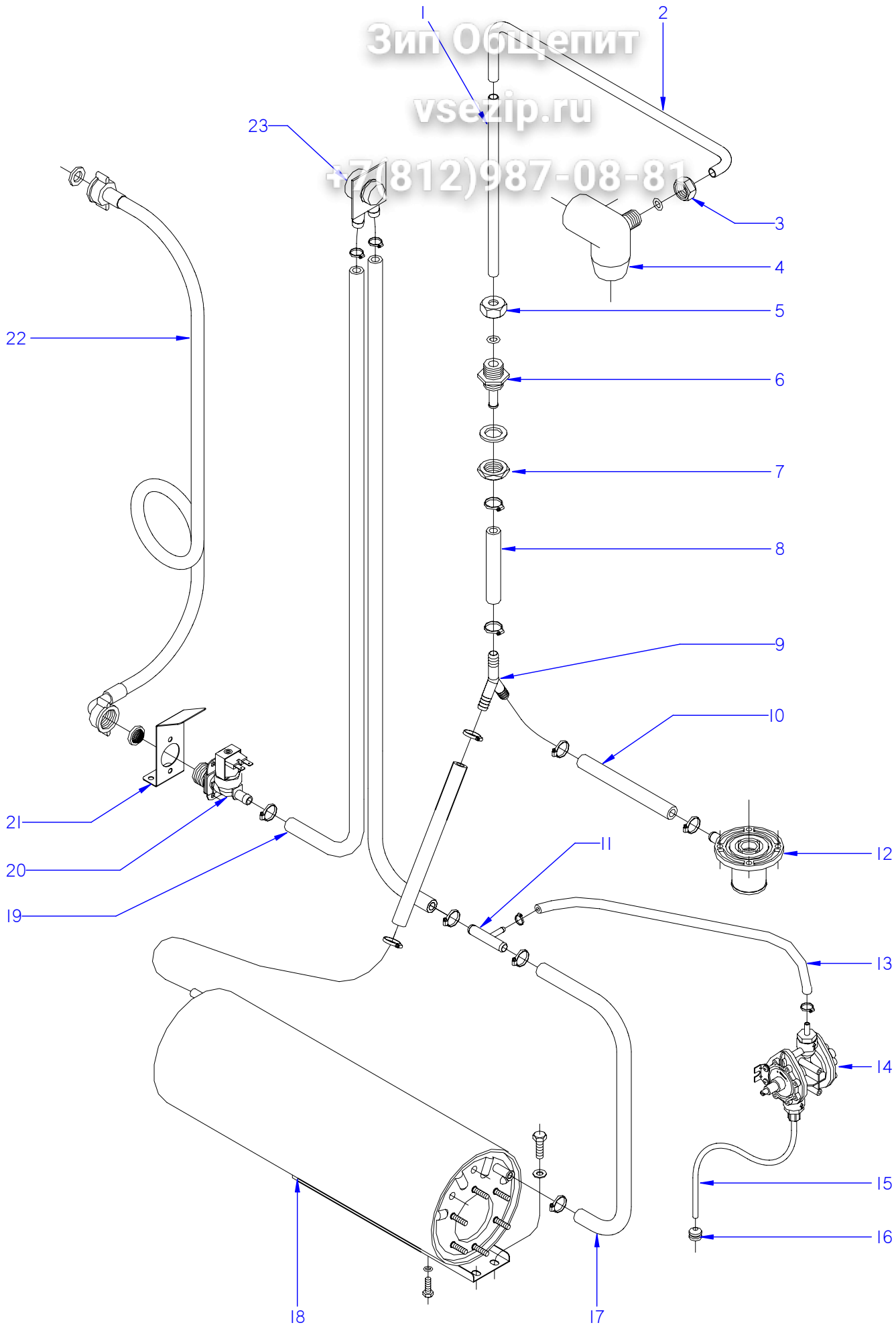
|         |                    |         |                                |                         |        |   |
|---------|--------------------|---------|--------------------------------|-------------------------|--------|---|
| N plano | Firma              | Fecha   | Aparato                        | PARTE FUNCIONAL DESAGUE | Lamina | Fagor Industrial S.Coop. <b>FAGOR</b>   |
| C-2489  | <i>[Signature]</i> | 2009-12 | LAVAVAJILLAS AD-120B; ADE-120B | 5                       | Oñate  |  |

|             | <b>MOD. LAVAVAJILLAS DE CAPOTA</b> | <b>ZONA</b>                  | <b>CONJUNTO FUNCIONAL DESAGÜE</b> |   |   |  |  |  |
|-------------|------------------------------------|------------------------------|-----------------------------------|---|---|--|--|--|
| <b>ITEM</b> | <b>CODIGO</b>                      | <b>DENOMINACION</b>          | <b>TEXTO</b>                      |   |   |  |  |  |
|             |                                    |                              | <b>AD-120B</b>                    |   |   |  |  |  |
|             |                                    |                              | <b>ADE-120B</b>                   |   |   |  |  |  |
| 1           | Z710901000                         | ALIVIADERO                   | OVERFLOW                          | 1 | 1 |  |  |  |
|             | Q307051000                         | JUNTA TORICA 36.17x41.41x2.6 | O-RING 36.17x41.41x2.6            | 1 | 1 |  |  |  |
| 2           | Z710902000                         | PASAMUROS DESAGUE            | DRAINAGE BUSHING                  | 1 | 1 |  |  |  |
|             | Q307059000                         | ARANDELA 72x56x2             | WASHER 72x56x2                    | 1 | 1 |  |  |  |
| 3           | Q220001000                         | TUERCA RANURADA              | GROOVED NUT                       | 1 | 1 |  |  |  |
| 4           | Z711004000                         | ACUMULADOR CAPOTA            | HOOD ACCUMULATOR                  | 1 | 1 |  |  |  |
|             | Q881304000                         | ABRAZADERA 20-32             | CLAMP 20-32                       | 2 | 2 |  |  |  |
| 5           | Z220903000                         | MANGUERA DESAGUE             | DRAINAGE HOSE                     | 1 | 1 |  |  |  |
|             | Q881307000                         | ABRAZADERA 40-60             | CLAMP 40-60                       | 1 | 1 |  |  |  |
| 6           | Z711007000                         | BOMBA DESAGUE                | DRAINAGE PUMP                     | 1 | 1 |  |  |  |
|             | Q262040000                         | ARANDELA GROW. A6 A.304      | WASHER GROW. A6 A.304             | 4 | 4 |  |  |  |
|             | Q012042000                         | TORNILLO EXAGONAL M6x15      | HEXAGONAL BOLT M6x15              | 4 | 4 |  |  |  |
|             | Q032032000                         | TORNILLO ALOMADO M5x15       | CURVED SCREW M5X15                | 2 | 2 |  |  |  |
|             | Q242030000                         | ARANDELA ABANICO A5 A.304    | FAN WASHER A5 A.304               | 2 | 2 |  |  |  |
| 7           | Z711005000                         | SOPORTE MOTOBOMBA            | MOTOR PUMP SUPPORT                | 1 | 1 |  |  |  |
| 8           | Z711006000                         | PROTECCION BOMBA             | PUMP PROTECTION                   | 1 | 1 |  |  |  |
|             |                                    |                              |                                   |   |   |  |  |  |
|             |                                    |                              |                                   |   |   |  |  |  |
|             |                                    |                              |                                   |   |   |  |  |  |
|             |                                    |                              |                                   |   |   |  |  |  |
|             |                                    |                              |                                   |   |   |  |  |  |
|             |                                    |                              |                                   |   |   |  |  |  |
|             |                                    |                              |                                   |   |   |  |  |  |
|             |                                    |                              |                                   |   |   |  |  |  |
|             |                                    |                              |                                   |   |   |  |  |  |
|             |                                    |                              |                                   |   |   |  |  |  |
|             |                                    |                              |                                   |   |   |  |  |  |
|             |                                    |                              |                                   |   |   |  |  |  |
|             |                                    |                              |                                   |   |   |  |  |  |
|             |                                    |                              |                                   |   |   |  |  |  |
|             |                                    |                              |                                   |   |   |  |  |  |

Зип Общепит

vsezip.ru

+7(812)987-08-81



ITEM MARCADO EN COLOR = REPUESTO RECOMENDADO  
COLOURED ITEM = RECOMMENDED SPARE PART

|         |                    |         |                              |                             |        |                                       |
|---------|--------------------|---------|------------------------------|-----------------------------|--------|---------------------------------------|
| N plano | Firma              | Fecha   | Aparato                      | CONJUNTO FUNCIONAL ACLARADO | Lamina | Fagor Industrial S.Coop. <b>FAGOR</b> |
| C-2490  | <i>[Signature]</i> | 2009-12 | LAVAVAJILLAS AD-120; AD-120B | 6                           | Oñate  |                                       |

|      |                        |      |                             |
|------|------------------------|------|-----------------------------|
| MOD. | LAVAVAJILLAS DE CAPOTA | ZONA | CONJUNTO FUNCIONAL ACLARADO |
|------|------------------------|------|-----------------------------|

| ITEM | CODIGO     | DENOMINACION                  | TEXTO                      | AD-120 | AD-120B |  |  |  |
|------|------------|-------------------------------|----------------------------|--------|---------|--|--|--|
| 1    | Z711114000 | TUBO EMPALME                  | CONNECTION PIPE            | 2      | 2       |  |  |  |
| 2    | Z711903000 | CONDUCCION ACLARADO COMP.     | COMP. RINSE PIPE           | 1      | 1       |  |  |  |
| 3    | Q223107000 | TUERCA M.20x2.5               | NUT M.20X2.5               | 1      | 1       |  |  |  |
|      | Q307048000 | JUNTA TORICA Ø9.12X16.18X3.53 | O-RING Ø9.12X16.18X3.53    | 1      | 1       |  |  |  |
| 4    | Z710705000 | SOPORTE DISTRIBUIDOR SUPER.   | UPPER DISTRIBUTION SUPPORT | 1      | 1       |  |  |  |
|      | Q152004000 | TORNILLO APLAST. M5x13 A.304  | MUSHROOM HEAD BOLT M5x13   | 1      | 1       |  |  |  |
|      | Q242030000 | ARANDELA ABANICO A5 A.304     | FAN WASHER A5 A.304        | 1      | 1       |  |  |  |
| 5    | Q223107000 | TUERCA M.20x2.5               | NUT M.20X2.5               | 1      | 1       |  |  |  |
|      | Q307048000 | JUNTA TORICA Ø9.12X16.18X3.53 | O-RING Ø9.12X16.18X3.53    | 1      | 1       |  |  |  |
| 6    | Z711904000 | PASAMUROS ACLARADO            | RINSE BUSHING              | 1      | 1       |  |  |  |
|      | Q307032000 | JUNTA Ø 32X21X3               | SEAL Ø 32X21X3             | 1      | 1       |  |  |  |
| 7    | Q223023000 | TUERCA EXAGONAL 5-8 LATON     | HEX NUT 5-8 BRASS          | 1      | 1       |  |  |  |
| 8    | 3676900000 | TUBO GOMA NEGRA Ø 17*10       | BLACK RUBBER PIPE 17*10    | 1      | 1       |  |  |  |
|      | Q881302000 | ABRAZADERA 12-20              | CLAMP 12-20                | 2      | 2       |  |  |  |
| 9    | Z201106000 | RACORD EN Y                   | Y-CONNECTION               | 1      | 1       |  |  |  |
| 10   | 3676900000 | TUBO GOMA NEGRA Ø 17*10       | BLACK RUBBER PIPE 17*10    | 2      | 2       |  |  |  |
|      | Q881302000 | ABRAZADERA 12-20              | CLAMP 12-20                | 4      | 4       |  |  |  |
| 11   | Z601157000 | TOMA PRESION                  | PRESSURE INTAKE            | 1      | 1       |  |  |  |
| 12   | Z710706000 | PASAMUROS                     | BUSHING                    | 1      | 1       |  |  |  |
|      | Q012044000 | TORNILLO EXAGONAL M6x25       | HEXAGONAL BOLT M6x25       | 4      | 4       |  |  |  |
|      | Q306050000 | ARANDELA 6x12x1.5             | WASHER 6x12x1.5            | 4      | 4       |  |  |  |
|      | Q232040000 | ARANDELA A6                   | WASHER A6                  | 4      | 4       |  |  |  |
|      | Q262040000 | ARANDELA GROW. A6 A.304       | WASHER GROW. A6 A.304      | 4      | 4       |  |  |  |
|      | Q162040000 | TUERCA EXAGONAL M6            | HEXAGONAL NUT M6           | 4      | 4       |  |  |  |
| 13   | 3704000000 | TUBO GOMA NEGRO D 10,5*5      | BLACK RUBBER PIPE Ø 10.5*5 | 1      | 1       |  |  |  |
|      | Q881308000 | ABRAZADERA 8-14L              | CLAMP 8-14L                | 2      | 2       |  |  |  |
| 14   | Z211109000 | DOSIFICADOR TENSOACTIVO N-6   | SURFACE ACT. DISP. N-6     | 1      | 1       |  |  |  |
|      | Q232030000 | ARANDELA A5                   | WASHER A5                  | 2      | 2       |  |  |  |
|      | Q012031000 | TORNIL. EXAGONAL M5x10 A.304  | HEXAGONAL BOLT M5X10 A.304 | 4      | 4       |  |  |  |
|      | Q163020000 | TUERCA EXAGONAL M4 LATON      | HEXAGONAL NUT M4 BRASS     | 2      | 2       |  |  |  |
| 15   | Z448618000 | CONDUCTO ABRILLANTADOR        | RINSE AID PIPE             | 1      | 1       |  |  |  |



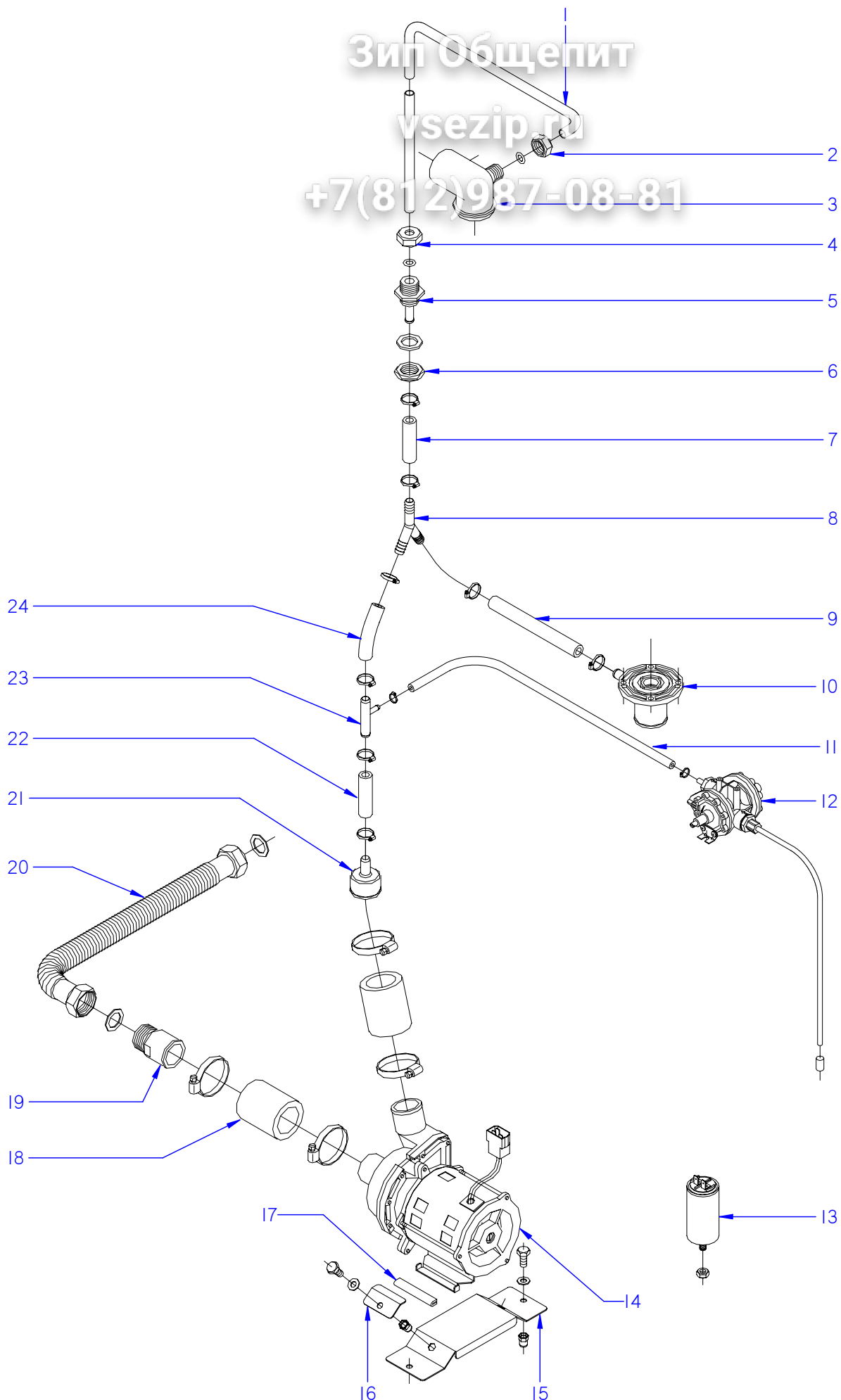
|      |                        |      |                             |
|------|------------------------|------|-----------------------------|
| MOD. | LAVAVAJILLAS DE CAPOTA | ZONA | CONJUNTO FUNCIONAL ACLARADO |
|------|------------------------|------|-----------------------------|

| ITEM | CODIGO     | DENOMINACION                  | TEXTO                       | AD-120 | AD-120B |  |  |  |
|------|------------|-------------------------------|-----------------------------|--------|---------|--|--|--|
| 16   | Z701152000 | PESO FILTRO                   | FILTER WEIGHT               | 1      | 1       |  |  |  |
| 17   | 3676900000 | TUBO GOMA NEGRA Ø 17*10       | BLACK RUBBER PIPE 17*10     | 1      | 1       |  |  |  |
|      | Q881302000 | ABRAZADERA 12-20              | CLAMP 12-20                 | 2      | 2       |  |  |  |
| 18   | Z201710000 | CALDERIN COMPLETO             | COMPLETE DRUM               | 1      | 1       |  |  |  |
|      | Q012031000 | TORNIL. EXAGONAL M5x10 A.304  | HEXAGONAL BOLT M5X10 A.304  | 2      | 2       |  |  |  |
|      | Q232030000 | ARANDELA A5                   | WASHER A5                   | 2      | 2       |  |  |  |
|      | Q012063000 | TORNIL. EXAGONAL M10x20 A.304 | HEXAGONAL BOLT M10X20 A.304 | 1      | 1       |  |  |  |
|      | Q307048000 | JUNTA TORICA Ø9.12X16.18X3.53 | O-RING Ø9.12X16.18X3.53     | 1      | 1       |  |  |  |
| 19   | 3676900000 | TUBO GOMA NEGRA Ø 17*10       | BLACK RUBBER PIPE 17*10     | 2      | 2       |  |  |  |
|      | Q881302000 | ABRAZADERA 12-20              | CLAMP 12-20                 | 4      | 4       |  |  |  |
| 20   | Z701135000 | ELECTR. SIMP.220V COD.255.208 | SOLENOID VALVE SIMP.220V CO | 1      | 1       |  |  |  |
| 21   | Z201101000 | ESCUADRA AMARRE ELECTROVA     | SOLENOID VALVE BRACKET      | 1      | 1       |  |  |  |
|      | Q152024000 | TORN. AVELLANADO M4x8 A.304   | HEXAGONAL COUNTERSUNK M4    | 2      | 2       |  |  |  |
|      | Q242020000 | ARANDELA ABANICO A4 A.304     | FAN WASHER A4 A.304         | 2      | 2       |  |  |  |
|      | Q012031000 | TORNIL. EXAGONAL M5x10 A.304  | HEXAGONAL BOLT M5X10 A.304  | 2      | 2       |  |  |  |
|      | Q232030000 | ARANDELA A5                   | WASHER A5                   | 2      | 2       |  |  |  |
| 22   | Z602121000 | MANGUERA ENTRADA AGUA         | WATER INTAKE HOSE           | 1      | 1       |  |  |  |
| 23   | Z231106000 | VALVULA ANTIRRETORNO          | NON-RETURN VALVE            | 1      | 1       |  |  |  |
|      | Q881302000 | ABRAZADERA 12/20              | CLAMP 12/20                 | 2      | 2       |  |  |  |
| S/Nº | Z711113000 | SOPORTE VALVULA A.R.          | VALVE SUPPORT A.R.          | 1      | 1       |  |  |  |
|      |            |                               |                             |        |         |  |  |  |
|      |            |                               |                             |        |         |  |  |  |
|      |            |                               |                             |        |         |  |  |  |
|      |            |                               |                             |        |         |  |  |  |
|      |            |                               |                             |        |         |  |  |  |
|      |            |                               |                             |        |         |  |  |  |
|      |            |                               |                             |        |         |  |  |  |
|      |            |                               |                             |        |         |  |  |  |
|      |            |                               |                             |        |         |  |  |  |
|      |            |                               |                             |        |         |  |  |  |

Зип Общежит

vsezip.ru

+7(812)987-08-81



ITEM MARCADO EN COLOR = REPUESTO RECOMENDADO  
COLOURED ITEM = RECOMMENDED SPARE PART

|         |                    |         |                                 |                          |        |                                       |
|---------|--------------------|---------|---------------------------------|--------------------------|--------|---------------------------------------|
| N plano | Firma              | Fecha   | Aparato                         | PARTE FUNCIONAL ACLARADO | Lamina | Fagor Industrial S.Coop. <b>FAGOR</b> |
| C-2491  | <i>[Signature]</i> | 2009-12 | LAVAVAJILLAS ADE-120 / ADE-120B |                          | 7      | Oñate                                 |

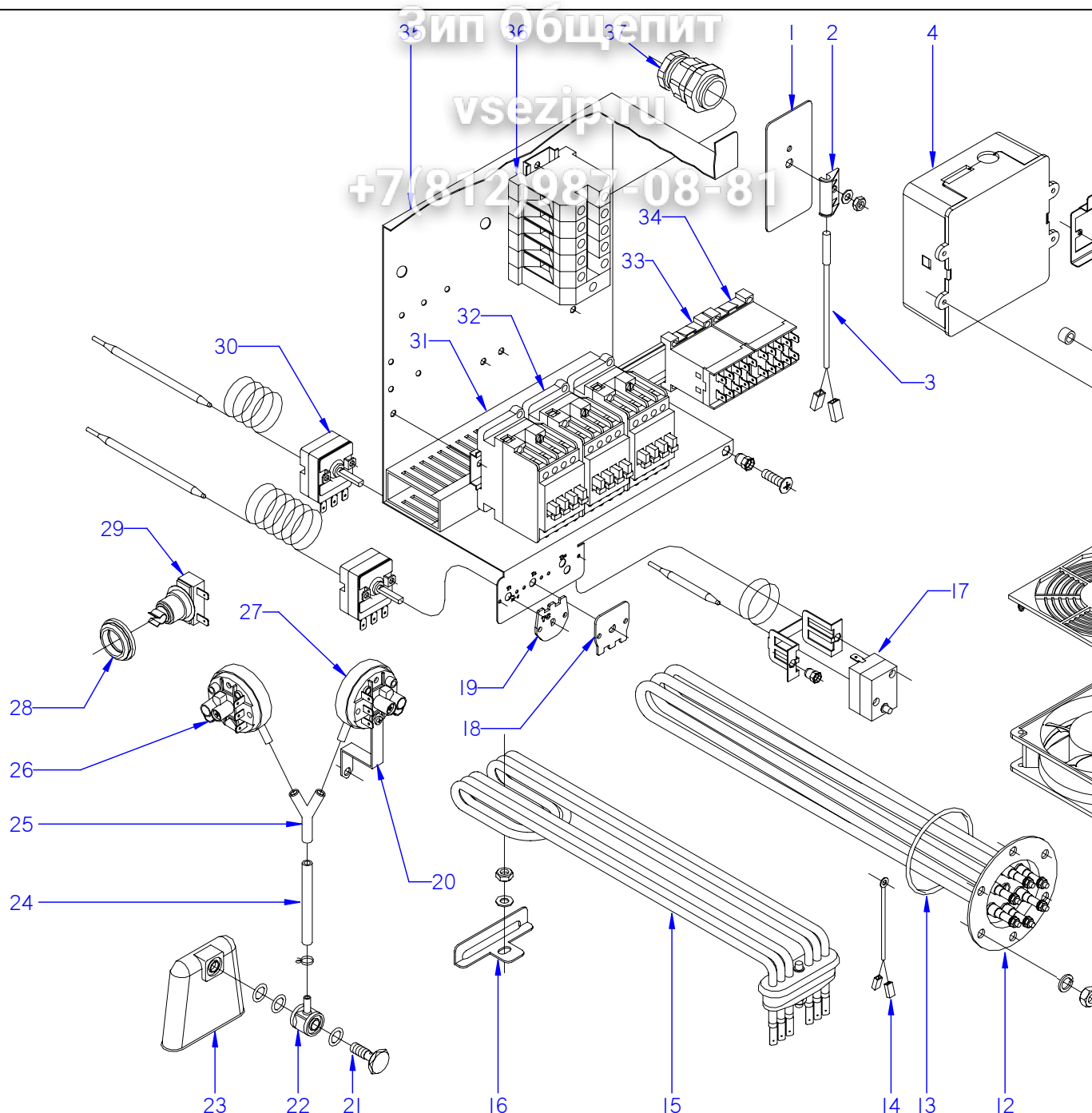
|      |                        |      |                               |
|------|------------------------|------|-------------------------------|
| MOD. | LAVAVAJILLAS DE CAPOTA | ZONA | CONJUNTO FUNCIONAL DE ACLARAD |
|------|------------------------|------|-------------------------------|

| ITEM | CODIGO     | DENOMINACION                  | TEXTO                      | ADE-120 | ADE-120B |  |  |  |
|------|------------|-------------------------------|----------------------------|---------|----------|--|--|--|
| 1    | Z711903000 | CONDUCCION ACLARADO COMP.     | COMP. RINSE PIPE           | 1       | 1        |  |  |  |
| 2    | Q223107000 | TUERCA M.20x2.5               | NUT M.20X2.5               | 1       | 1        |  |  |  |
|      | Q307048000 | JUNTA TORICA Ø9.12X16.18X3.53 | O-RING Ø9.12X16.18X3.53    | 1       | 1        |  |  |  |
| 3    | Z710705000 | SOPORTE DISTRIBUIDOR SUPER.   | UPPER DISTRIBUTION SUPPORT | 1       | 1        |  |  |  |
|      | Q152004000 | TORNILLO APLAST. M5x13 A.304  | MUSHROOM HEAD BOLT M5x13   | 1       | 1        |  |  |  |
|      | Q242030000 | ARANDELA ABANICO A5 A.304     | FAN WASHER A5 A.304        | 1       | 1        |  |  |  |
| 4    | Q223107000 | TUERCA M.20x2.5               | NUT M.20X2.5               | 1       | 1        |  |  |  |
|      | Q307048000 | JUNTA TORICA Ø9.12X16.18X3.53 | O-RING Ø9.12X16.18X3.53    | 1       | 1        |  |  |  |
| 5    | Z711904000 | PASAMUROS ACLARADO            | RINSE BUSHING              | 1       | 1        |  |  |  |
|      | Q307032000 | JUNTA Ø 32X21X3               | SEAL Ø 32X21X3             | 1       | 1        |  |  |  |
| 6    | Q223023000 | TUERCA EXAGONAL 5-8 LATON     | HEX NUT 5-8 BRASS          | 1       | 1        |  |  |  |
| 7    | 3676900000 | TUBO GOMA NEGRA Ø 17*10       | BLACK RUBBER PIPE 17*10    | 1       | 1        |  |  |  |
|      | Q881302000 | ABRAZADERA 12-20              | CLAMP 12-20                | 2       | 2        |  |  |  |
| 8    | Z201106000 | RACORD EN Y                   | Y-CONNECTION               | 1       | 1        |  |  |  |
| 9    | 3676900000 | TUBO GOMA NEGRA Ø 17*10       | BLACK RUBBER PIPE 17*10    | 1       | 1        |  |  |  |
|      | Q881302000 | ABRAZADERA 12-20              | CLAMP 12-20                | 2       | 2        |  |  |  |
| 10   | Z710706000 | PASAMUROS                     | BUSHING                    | 1       | 1        |  |  |  |
|      | Q012044000 | TORNILLO EXAGONAL M6x25       | HEXAGONAL BOLT M6x25       | 4       | 4        |  |  |  |
|      | Q306050000 | ARANDELA 6x12x1.5             | WASHER 6x12x1.5            | 4       | 4        |  |  |  |
|      | Q232040000 | ARANDELA A6                   | WASHER A6                  | 4       | 4        |  |  |  |
|      | Q262040000 | ARANDELA GROW. A6 A.304       | WASHER GROW. A6 A.304      | 4       | 4        |  |  |  |
|      | Q162040000 | TUERCA EXAGONAL M6            | HEXAGONAL NUT M6           | 4       | 4        |  |  |  |
| 11   | 3704000000 | TUBO GOMA NEGRO Ø 10,5*5      | BLACK RUBBER PIPE Ø 10,5*5 | 1       | 1        |  |  |  |
|      | Q881308000 | ABRAZADERA 8-14L              | CLAMP 8-14L                | 2       | 2        |  |  |  |
| 12   | Z211109000 | DOSIFICADOR TENSOACTIVO N-6   | SURFACE ACT. DISP. N-6     | 1       | 1        |  |  |  |
|      | Q232030000 | ARANDELA A5                   | WASHER A5                  | 2       | 2        |  |  |  |
|      | Q012031000 | TORNIL. EXAGONAL M5x10 A.304  | HEXAGONAL BOLT M5X10 A.304 | 4       | 4        |  |  |  |
|      | Q163020000 | TUERCA EXAGONAL M4 LATON      | HEXAGONAL NUT M4 BRASS     | 2       | 2        |  |  |  |
| S/Nº | Z448618000 | CONDUCTO ABRILLANTADOR        | RINSE AID PIPE             | 1       | 1        |  |  |  |
| S/Nº | Z701152000 | PESO FILTRO                   | FILTER WEIGHT              | 1       | 1        |  |  |  |

|      |                        |      |                                |
|------|------------------------|------|--------------------------------|
| MOD. | LAVAVAJILLAS DE CAPOTA | ZONA | CONJUNTO FUNCIONAL DE ACLARADO |
|------|------------------------|------|--------------------------------|

| ITEM | CODIGO     | DENOMINACION                 | TEXTO                    | ADE-120 | ADE-120B |  |  |  |
|------|------------|------------------------------|--------------------------|---------|----------|--|--|--|
| 13   | V817100000 | CONDENSADOR 6 M,F,           | CONDENSER 6 M,F,         | 1       | 1        |  |  |  |
|      | Q162050000 | TUERCA EXAGONAL M8x1 INOX,   | HEXAGONAL NUT M8x1 INOX. | 1       | 1        |  |  |  |
| 14   | Z401001000 | BOMBA LAVADO                 | WASH PUMP                | 1       | 1        |  |  |  |
| 15   | Z701101000 | SOPOR. MOTOBOMBA ACLARADO    | SUPPORT FRONT MOTOR-PUMP | 1       | 1        |  |  |  |
|      | Q221343000 | REMACHE EXAGONAL M6          | HEXAGONAL RIVET M6       | 2       | 2        |  |  |  |
| 16   | Z701103000 | AMARRE MOTOBOMBA             | ANCHORAGE MOTOR-PUMP     | 2       | 2        |  |  |  |
|      | Q012042000 | TORNILLO EXAGONAL M6x15      | HEXAGONAL BOLT M6x15     | 2       | 2        |  |  |  |
|      | Q232040000 | ARANDELA A6                  | WASHER A6                | 2       | 2        |  |  |  |
|      | Q262040000 | ARANDELA GROW. A6 A.304      | WASHER GROW. A6 A.304    | 2       | 2        |  |  |  |
|      | Q012031000 | TORNIL. EXAGONAL M5x10 A.304 | HEXAGONAL BOLT M5X10     | 2       | 2        |  |  |  |
|      | Q232030000 | ARANDELA A5                  | WASHER A5                | 2       | 2        |  |  |  |
|      | Q262030000 | ARANDELA GROW. A5 A.304      | WASHER GROW. A5 A.304    | 2       | 2        |  |  |  |
| 17   | 3701700000 | PERFIL GOMA NEGRO EN U 9*4   | BLACK RUBBER U 9*4       | 2       | 2        |  |  |  |
| 18   | Z162301000 | CONDUCTO ASPIRAC. IMPULSION  | EXTRACTOR IMPULSE PIPE   | 2       | 2        |  |  |  |
|      | Q881307000 | ABRAZADERA 40*60             | CLAMP 40*60              | 4       | 4        |  |  |  |
| 19   | Z701102000 | MANGUITO                     | HANDLE                   | 1       | 1        |  |  |  |
| 20   | Z951101000 | TUBO CORRUGADO               | PIPE                     | 1       | 1        |  |  |  |
|      | Q306038000 | ARANDELA JUNTA 31X21X1.5     | WASHER 31X21X1.5         | 2       | 2        |  |  |  |
| 21   | Z701104000 | REDUCCION                    | REDUCTION                | 1       | 1        |  |  |  |
| 22   | 3676900000 | TUBO GOMA NEGRA 17*10        | BLACK RUBBER PIPE 17*10  | 1       | 1        |  |  |  |
|      | Q881302000 | ABRAZADERA 12*20             | CLAMP 12-20              | 2       | 2        |  |  |  |
| 23   | Z601157000 | TOMA PRESION                 | PRESSURE INTAKE          | 1       | 1        |  |  |  |
| 24   | 3676900000 | TUBO GOMA NEGRA 17*10        | BLACK RUBBER PIPE 17*10  | 1       | 1        |  |  |  |
|      | Q881302000 | ABRAZADERA 12*20             | CLAMP 12-20              | 2       | 2        |  |  |  |
|      |            |                              |                          |         |          |  |  |  |
|      |            |                              |                          |         |          |  |  |  |
|      |            |                              |                          |         |          |  |  |  |
|      |            |                              |                          |         |          |  |  |  |
|      |            |                              |                          |         |          |  |  |  |
|      |            |                              |                          |         |          |  |  |  |
|      |            |                              |                          |         |          |  |  |  |

Зип Overall  
vsezip.ru  
+7(812)987-08-81



ITEM MARCADO EN COLOR = REPUESTO RECOMENDADO  
COLOURED ITEM = RECOMMENDED SPARE PART

|         |                    |         |                               |        |                                 |
|---------|--------------------|---------|-------------------------------|--------|---------------------------------|
| N plano | Firma              | Fecha   | Aparato                       | Lamina | Orden                           |
| C-2492  | <i>(Signature)</i> | 2009-12 | LAVAVAJILLAS AD-120 / ADE-120 | 8      | Fagor Industrial S. Coop. FAGOR |

CONJUNTO FUNCIONAL ELECTRICO

|      |                        |      |                              |
|------|------------------------|------|------------------------------|
| MOD. | LAVAVAJILLAS DE CAPOTA | ZONA | CONJUNTO FUNCIONAL ELECTRICA |
|------|------------------------|------|------------------------------|

| ITEM | CODIGO     | DENOMINACION                 | TEXTO                        | AD-120 | AD-120B | ADE-120 | ADE-120B |
|------|------------|------------------------------|------------------------------|--------|---------|---------|----------|
| 1    | Z101211000 | APOYO INTERRUPTOR            | SWITCH SUPPORT               | 1      | 1       | 1       | 1        |
| 2    | Z203010000 | AMARRE INTERRUPTOR MAGNET.   | MAGNETIC SWITCH FASTENER     | 1      | 1       | 1       | 1        |
|      | Q232040000 | ARANDELA A-6                 | WASHER A-6                   | 1      | 1       | 1       | 1        |
|      | Q162040000 | TUERCA EXAGONAL M-6          | HEXAGONAL NUT M-6            | 1      | 1       | 1       | 1        |
| 3    | Z203009000 | INTERRUPTOR MAGNETICO        | MAGNETIC SWITCH              | 1      | 1       | 1       | 1        |
| 4    | Z213069000 | TARJETA 5 RELES              | 5 RELAY CARD                 | 1      | 1       | 1       | 1        |
|      | Q232020000 | ARANDELA A4                  | WASHER A4                    | 4      | 4       | 4       | 4        |
|      | Q242020000 | ARANDELA ABANICO A5 A.304    | FAN WASHER A5 A.304          | 4      | 4       | 4       | 4        |
|      | Q042022000 | TORN. AVELLANADO M4X15       | HEXAGONAL COUNTERSUNK M4     | 4      | 4       | 4       | 4        |
|      | Z515045000 | CASQUILLO SEPARADOR B        | SEPARATOR BUSHING B          | 4      | 4       | 4       | 4        |
| 5    | Z713023000 | SOPORTE DISPLAY CAPOTA       | HOOD DISPLAY SUPPORT         | 1      | 1       | 1       | 1        |
|      | R663036000 | FIJACION CIRCUITO            | CIRCUIT ATTACHMENT           | 3      | 3       | 3       | 3        |
| 6    | Z713017000 | DISPLAY GICAR TEMPERATURAS   | GICAR TEMPERATURE DISPLAY    | 1      | 1       | 1       | 1        |
| 7    | Z713027000 | SOPORTE PROGRAMADOR RELE     | RELAY PROGRAMMER SUPPORT     | 1      | 1       | 1       | 1        |
| 8    | Z712935000 | EMBELLEC. ADHESIVO AD-120    | ADHESIVE TRIM AD-120.        | 1      | -       | -       | -        |
| 8    | Z712936000 | EMBELLEC. ADHESIVO AD-120B   | ADHESIVE TRIM AD-120B.       | -      | 1       | -       | -        |
| 8    | Z732905000 | EMBELLEC. ADHESIVO ADE-120   | ADHESIVE TRIM ADE-120.       | -      | -       | 1       | -        |
| 8    | Z732906000 | EMBELLEC. ADHESIVO ADE-120B  | ADHESIVE TRIM ADE-120B.      | -      | -       | -       | 1        |
| 9    | Z713015000 | PROTECCION VENTILADOR ABS    | FAN PROTECTION ABS           | 1      | 1       | 1       | 1        |
|      | Q042022000 | TORNILLO AVELLANADO M4x15    | COUNTERSUNK BOLT M4x15       | 8      | 8       | 8       | 8        |
|      | Q162020000 | TUERCA EXAGONAL M4           | HEXAGONAL NUT M4             | 12     | 12      | 12      | 12       |
|      | Q242020000 | ARANDELA ABANICO A-4 A304    | FAN WASHER A-4 A304          | 8      | 8       | 8       | 8        |
| 10   | Z103066000 | VENTILADOR 230V,50/60 HZ     | FAN 230V,50/60 HZ            | 1      | 1       | -       | -        |
| 11   | Z651731000 | CAPERUZA RESISTEN. CALDERIN  | DRUM RESIST. CAP             | 1      | 1       | -       | -        |
|      | Q163140000 | TUERCA EXAGONAL M6 LATON     | HEXAGONAL NUT M6 BRASS       | 2      | 2       | -       | -        |
|      | Q012031000 | TORNIL. EXAGONAL M5x10 A.304 | HEXAGONAL BOLT M5X10 A.304   | 2      | 2       | -       | -        |
|      | Q232030000 | ARANDELA A-5                 | WASHER A-5                   | 2      | 2       | -       | -        |
| 12   | Z728306000 | RESISTENCIA CALDERIN 12 KW   | DRUM RESISTOR 12 KW          | 1      | 1       | -       | -        |
|      | Q221305000 | TUERCA EX, AUTO. M4 ZINCADA  | HEX NUT , AUTO. M4 ZINC-COAT | 6      | 6       | -       | -        |
|      | Q163140000 | TUERCA EXAGONAL M6 LATON     | HEXAGONAL NUT M6 BRASS       | 6      | 6       | -       | -        |
|      | Q262040000 | ARANDELA GROW. A6 A.304      | WASHER GROW. A6 A.304        | 6      | 6       | -       | -        |

|      |                        |      |                              |
|------|------------------------|------|------------------------------|
| MOD. | LAVAVAJILLAS DE CAPOTA | ZONA | CONJUNTO FUNCIONAL ELECTRICA |
|------|------------------------|------|------------------------------|

| ITEM | CODIGO     | DENOMINACION                | TEXTO                         | AD-120 | AD-120B | ADE-120 | ADE-120B |
|------|------------|-----------------------------|-------------------------------|--------|---------|---------|----------|
| 13   | Q307035000 | JUNTA TORICA AN-36 282333   | O-RING AN-36 282333           | 1      | 1       | -       | -        |
| 14   | Z713028000 | SONDAS TEMPERATURA GICAR    | GICAR TEMPERATURE GAUGE       | 1      | 1       | -       | -        |
| 15   | Z743601000 | RESISTENCIA TANQUE          | TANK RESISTOR                 | 1      | 1       | 1       | 1        |
| 16   | Z743602000 | SOPORTE RESISTENCIA TANQUE  | TANK RESISTOR SUPPORT         | 1      | 1       | 1       | 1        |
|      | Q232040000 | ARANDELA A,6                | WASHER A,6                    | 1      | 1       | 1       | 1        |
|      | Q162040000 | TUERCA EXAGONAL M6          | HEXAGONAL NUT M6              | 1      | 1       | 1       | 1        |
| 17   | Z213014000 | LIMITADOR TECASA P.         | LIMITER TECASA P.             | 1      | 1       | -       | -        |
| S/Nº | Z203060000 | AMARRE LIMITADOR TECASA     | LIMITER FASTENING TECASA      | 1      | 1       | -       | -        |
|      | Q221341000 | REMACHE EXAGONAL M4         | HEXAGONAL RIVET M4            | 2      | 2       | -       | -        |
|      | Q152024000 | TORNILLO AVELLANADO M4x8    | COUNTERSUNK BOLT M4x8         | 2      | 2       | -       | -        |
| 18   | Z713038000 | REGU. TERMOS. TANQUE 60 °C  | TANK THERMOSTAT CONTROL 60 °C | 1      | 1       | 1       | 1        |
| 19   | Z718446000 | CHAPA W 85°C                | PLATE W 85°C                  | 1      | 1       | 1       | 1        |
| 20   | Z602923000 | SOPORTE PRESOSTATO          | PRESSURE SWITCH SUPPORT       | 1      | 1       | 1       | 1        |
|      | Q082032000 | TORNILLO ALOMADO BZ-3,5x9,5 | CURVED SCREW BZ-3.5x9.5       | 1      | 1       | 1       | 1        |
|      | Q162040000 | TUERCA EXAGONAL M6          | HEXAGONAL NUT M6              | 1      | 1       | 1       | 1        |
|      | Q232040000 | ARANDELA A6                 | WASHER A6                     | 1      | 1       | 1       | 1        |
| 21   | Z203013000 | TORNILLO PRESOSTATO         | PRESSURE SWITCH BOLT          | 1      | 1       | 1       | 1        |
| 22   | Z203012000 | EMPALME PRESOSTATO          | PRESSURE SWITCH CONNEX        | 1      | 1       | 1       | 1        |
|      | Q307003000 | JUNTA TOR.16,01x10,77x2,62  | O-RING 16.01x10.77x2.62       | 3      | 3       | 3       | 3        |
| 23   | Z203011000 | CAMARA PRESOSTATO           | PRESSURE SWITCH               | 1      | 1       | 1       | 1        |
| 24   | 3702400000 | TUBO DE GOMA 8x4 D8*4       | RUBBER PIPE 8x4 D8*4          | 1      | 1       | 1       | 1        |
|      | P102154000 | BRIDA ELASTICA TUBO         | ELASTIC PIPE FLANGE           | 2      | 2       | 2       | 2        |
| 25   | Z103077000 | RACORD EN Y                 | Y-CONNECTION                  | -      | 1       | -       | 1        |
| 26   | Z713098000 | PRESOTATO SEGURIDAD         | SAFETY PRESSOSTAT             | -      | 1       | -       | 1        |
| 27   | Z713002000 | PRESOSTATO SIMPLE           | SIMPLE PRESSURE SWITCH        | 1      | 1       | 1       | 1        |
| 28   | N503017000 | SOPORTE TERMOSTATO 1001713  | THERMOSTAT SUPPORT 1001713    | 2      | 2       | 2       | 2        |
| S/Nº | P443060000 | TAPON                       | COVER                         | 1      | 1       | 1       | 1        |
| 29   | R213004000 | TERMOSTATO REARME MANUAL    | MANUAL RESET THERMOSTAT       | 1      | 1       | 1       | 1        |
| 30   | Z203014000 | TERMOSTATO CALDERIN         | WASH DRUM THERMOSTAT          | 2      | 2       | 1       | 1        |
|      | Q152024000 | TORNILLO AVELLANADO M4x8    | COUNTERSUNK BOLT M4x8         | 2      | 2       | 1       | 1        |

|      |                        |      |                              |
|------|------------------------|------|------------------------------|
| MOD. | LAVAVAJILLAS DE CAPOTA | ZONA | CONJUNTO FUNCIONAL ELECTRICA |
|------|------------------------|------|------------------------------|

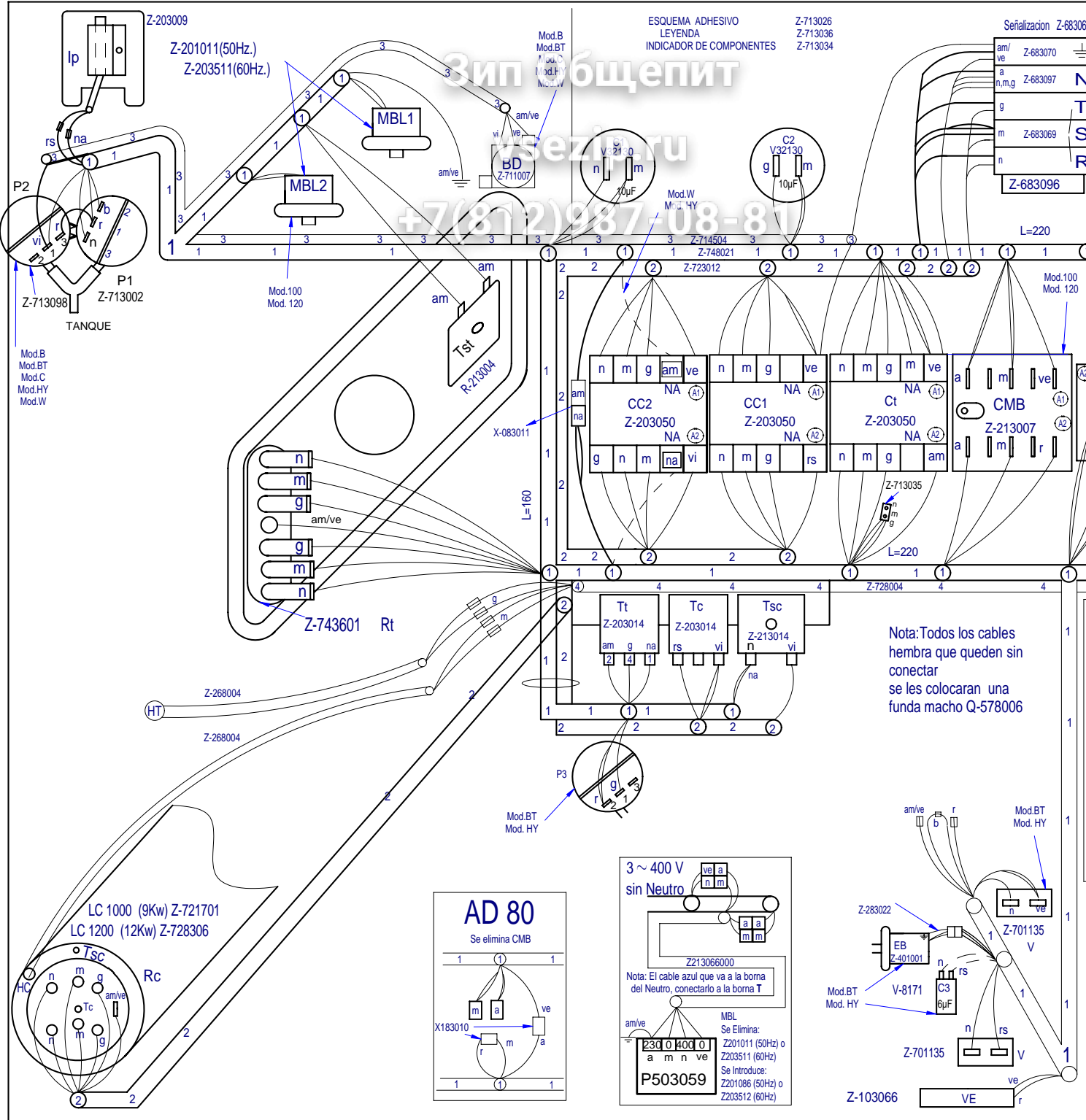
| ITEM | CODIGO     | DENOMINACION                  | TEXTO                         | AD-120 | AD-120B | ADE-120 | ADE-120B |
|------|------------|-------------------------------|-------------------------------|--------|---------|---------|----------|
| 31   | 3715520000 | CANALETA UNEX 60,30,77        | PIPING UNEX 60.30.77          | 3      | 3       | 3       | 3        |
|      | Q419005000 | REMACHE 4x8 ALMG3 / ALUMINIO  | RIVET 4X8 ALMG3 / ALUMINIUM   | 4      | 4       | 4       | 4        |
|      | Q221342000 | REMACHE EXAGONAL M5           | HEXAGONAL RIVET M5            | 1      | 1       | 1       | 1        |
|      | Q232040000 | ARANDELA A6                   | WASHER A6                     | 2      | 2       | 2       | 2        |
|      | Q162040000 | TUERCA EXAGONAL M6            | HEXAGONAL NUT M6              | 2      | 2       | 2       | 2        |
|      | Q152004000 | TORNILL, APLASTADO M5x13 A304 | FLAT HEADED BOLT M5x13 A304   | 1      | 1       | 1       | 1        |
|      | Z713035000 | REGLETA 6 mm.                 | STRIP 6 mm.                   | 1      | 1       | 1       | 1        |
|      | Z103064000 | BASE UNEX 1252                | BASE UNEX 1252                | 2      | 2       | 2       | 2        |
| S/Nº | Z403016000 | GUIA CONTACTOR L-100          | CONTACTOR GUIDE L-100         | 1      | 1       | 1       | 1        |
|      | R663055000 | GUIA CONTACTOR L-120          | CONTACTOR GUIDE L-120         | 1      | 1       | 1       | 1        |
| 32   | Z203050000 | CONTAC. SIRIUS 3R 230V.50-60  | CONTACT. SIRIUS 3R 230V.50-60 | 3      | 3       | 1       | 1        |
| 33   | Z213007000 | CONTACTOR 230 V. 50-60 HZ     | CONTACTOR 230 V. 50-60 HZ     | 1      | 1       | 1       | 1        |
| 34   | Z203062000 | RELE 230V. 16A-60 HZ          | RELAY 230V. 16A-60 HZ         | 1      | 1       | 1       | 1        |
|      | Z103083000 | GUIA CONTACTOR L-73           | CONTACTOR GUIDE L-73          | 1      | 1       | 1       | 1        |
| 35   | Z713037000 | CAJA CUADRO ELECTRICO         | SWITCHBOARD BOX               | 1      | 1       | 1       | 1        |
| 36   | Z683069000 | BORNA 16                      | TERMINAL 16                   | 3      | 3       | -       | -        |
|      | Z683097000 | BORNA PASO WDU16 10204,8      | STEP TERMINAL WDU16 10204.8   | 1      | 1       | -       | -        |
|      | Z683070000 | BORNA A TIERRA WEIDMULLER     | TERMINAL TO EARTH WEIDMULL    | 1      | 1       | -       | -        |
|      | Z683068000 | SEÑALIZ.DEK-6WEIDMULLER       | SIGNS DEK-6WEIDMULLER         | 1      | 1       | -       | -        |
|      | Z683096000 | TOPE FINAL WEW35 10590.0      | END STOP WEW35 10590.0        | 1      | 1       | -       | -        |
|      | Z103083000 | GUIA CONTACTOR L-73           | CONTACTOR GUIDE L-73          | 1      | 1       | -       | -        |
| 36   | Z743006000 | REGLETA DE CONEXIONES         | CONNECTION STRIP              | -      | -       | 1       | 1        |
|      | Q152004000 | TORNILL, APLASTADO M5x13 A304 | FLAT HEADED BOLT M5x13 A304   | -      | -       | 2       | 2        |
|      | Q232030000 | ARANDELA A5                   | WASHER A5                     | -      | -       | 2       | 2        |
|      | Q162030000 | TUERCA EXAGONAL M5            | HEXAGONAL NUT M5              | -      | -       | 2       | 2        |
| 37   | R023013000 | PRENSA ESTOPAS                | STUFFING BOX                  | 1      | 1       | 1       | 1        |
|      |            |                               |                               |        |         |         |          |
|      |            |                               |                               |        |         |         |          |
|      |            |                               |                               |        |         |         |          |
|      |            |                               |                               |        |         |         |          |



+7(812)987-08-81

| <b>MOD.</b> | <b>LAVAVAJILLAS DE CAPOTA</b> | <b>ZONA</b>                  | <b>VIARIOS</b>           |        |         |         |          |
|-------------|-------------------------------|------------------------------|--------------------------|--------|---------|---------|----------|
| ITEM        | CODIGO                        | DENOMINACION                 | TEXTO                    | AD-120 | AD-120B | ADE-120 | ADE-120B |
|             | Z716135000                    | FOLLETO DE INSTRUCCIONES AD  | INSTRUCTION LEAFLET      | 1      | 1       | _       | _        |
|             | Z736106000                    | FOLLETO DE INSTRUCCION. ADE  | INSTRUCTION LEAFLET ADE  | _      | _       | 1       | 1        |
|             | Z713026000                    | ESQUEMA TEORICO AD           | THEORETICAL DIAGRAM AD.  | 1      | 1       | _       | _        |
|             | Z743023000                    | ESQUEMA TEORICO ADE          | THEORETICAL DIAGRAM ADE  | _      | _       | 1       | 1        |
|             | Z713025000                    | PLANO DE MONTAJE AD          | ASSEMBLY PLAN AD         | 1      | 1       | _       | _        |
|             | Z743024000                    | PLANO DE MONTAJE ADE         | ASSEMBLY PLAN ADE        | _      | _       | 1       | 1        |
|             | Z723012000                    | CABLEADO CALDERIN AD-120     | DRUM AD-120 WIRING       | 1      | 1       | _       | _        |
|             | Z713019000                    | CABLEADO PROLONGAD. SONDAS   | PROBE WIRING             | 1      | 1       | 1       | 1        |
|             | Z713021000                    | CABLE CONEXION PLACA-DISPLAY | DISPLAY CONNECTI. WIRING | 1      | 1       | 1       | 1        |
|             | Z713040000                    | CABLEADO PROLONG. EMB.MEMB.  | PROBE WIRING             | 1      | 1       | 1       | 1        |
|             | Z713024000                    | INSTALACION ELECTRICA AD     | ELEC. INSTALATION AD     | 1      | 1       | 1       | 1        |
|             |                               |                              |                          |        |         |         |          |
|             |                               |                              |                          |        |         |         |          |
|             |                               |                              |                          |        |         |         |          |
|             |                               |                              |                          |        |         |         |          |
|             |                               |                              |                          |        |         |         |          |
|             |                               |                              |                          |        |         |         |          |
|             |                               |                              |                          |        |         |         |          |
|             |                               |                              |                          |        |         |         |          |
|             |                               |                              |                          |        |         |         |          |
|             |                               |                              |                          |        |         |         |          |
|             |                               |                              |                          |        |         |         |          |
|             |                               |                              |                          |        |         |         |          |
|             |                               |                              |                          |        |         |         |          |
|             |                               |                              |                          |        |         |         |          |
|             |                               |                              |                          |        |         |         |          |
|             |                               |                              |                          |        |         |         |          |
|             |                               |                              |                          |        |         |         |          |
|             |                               |                              |                          |        |         |         |          |
|             |                               |                              |                          |        |         |         |          |





Зип общепит  
www.zse.ru  
+7(812)987-08-81

LEYENDA CAPOTA

|            | ESPAÑOL                           | FRANÇAIS                        | ENGLISH                      | DEUTSCH                       |
|------------|-----------------------------------|---------------------------------|------------------------------|-------------------------------|
| Ⓐ Ⓑ        | Puntos de conexión con R          | Points de conexión R            | Conecction point with R      | Anschlußpunkte mit R          |
| BD         | Bomba desagüe                     | Pompe de vidange                | Drain pump                   | Abflußpumpe                   |
| C 1/2/3    | Condensador                       | Condensateur                    | Condenser                    | Kondensator                   |
| CMB        | Contacto bomba lavado             | Contacteur pompe lavage         | Wash pump contactor          | Kontaktschütz Waschpumpe      |
| Cc 1/2     | Contacto calentamiento calderin   | Contacteur chauff. surchauffeur | Boiler heating contactor     | Kontaktschütz Boilerheizung   |
| Ct         | Contacto calentamiento tanque     | Contacteur chauffage cuve       | Tank heating contactor       | Kontaktschütz Heizung Tank    |
| CP         | Rele puerta                       | Relais porte                    | Door relay                   | Türrelais                     |
| Ds.Det.    | Dosificador detergente            | Dosueur de detergent            | Detergent doser              | Dosierer Spülmittel           |
| E.B        | Electrobomba de presión           | Electropompe de pression        | Electric pressure pump       | Elektro-Drucksteigerungspumpe |
| IG         | Interruptor general               | Interrupteur general            | Main switch                  | Hauptschalter                 |
| IP         | Micro puerta                      | Micro porte                     | Door microswitch             | Mikroschalter Tür             |
| L1         | Piloto de encendido               | Voyant fonctionnement           | Operation light              | Betriebsanzeigelampe          |
| L2         | Piloto marcha                     | Voyant démarrage                | Start light                  | Startanzeigelampe             |
| L3         | Piloto maquina preparada          | Voyant machine prêt             | Light machine ready          | Betriebsbereitschaftsanzeige  |
| MBL 1/2    | Bomba lavado                      | Pompe lavage                    | Wash pump                    | Waschpumpe                    |
| M          | Motor programador                 | Moteur du programmeur           | Motor programmer             | Motor Programmiervorrichtung  |
| M Av. R    | Motor program. avance rapido      | Moteur du progr.avance rapide   | Motor program. rapid advance | Motor Programmiervorrich. s   |
| M1         | Micro programador marcha          | Micro du programm. de marche    | Micro programmer on          | Motor Programmiervorrich. B   |
| M2         | Micro programador lavado          | Micro du programm. de lavage    | Micro programmer wash        | Motor Programmiervorrich. W   |
| M3         | Micro programador aclarado        | Micro du programm. de rinçage   | Micro programmer on          | Motor Programmiervorrich. S   |
| M4         | Micro programador Termo-stop      | Micro du programm. Termo-stop   | Micro programmer Termo-stop  | Motor Programmiervorrich. Th  |
| M5         | Micro programador avance          | Micro du programm. avance       | Micro programmer advance     | Motor Programmiervorrich. V   |
| M6         | Micro programador avance          | Micro du programm. avance       | Micro programmer advance     | Motor Programmiervorrich. V   |
| P, P1, P5  | Presostato                        | Pressostat                      | Pressure switch              | Druckwächter                  |
| P2, P3, P4 | Presostato limitador              | Pressostat de sécurité          | Hi-limit pressure switch     | Begrenzer Druckwächter        |
| R          | Rele de Generador de A.C.         | Relais du Generateur            | Generator rele               | Relais Generator              |
| Ⓡ Ⓝ        | Toma de alimentac. Generador A.C. | Alimentation generateur         | Water heater feeding         | Stromversorgungsanschluß C    |
| RC         | Resistencia calderin              | Resistance surchauffeur         | Boiler heating element       | Heizwiderstand Boiler         |
| RT         | Resistencia tanque                | Resistance cuve                 | Tank heater                  | Heizwiderstand Tank           |
| Tt         | Termostato tanque                 | Thermostat de cuve              | Tank thermostat              | Thermostat Tank               |
| TC         | Termostato calderin               | Thermostat surchauffeur         | Boiler thermostat            | Thermostat kessel             |
| Tst        | Limitador tanque                  | Limiteur de cuve                | Tank limiter                 | Begrenzer Tank                |
| TSC        | Limitador calderin                | Limiteur surchauffeur           | Boiler Hi-limit              | Begrenzer Boiler              |
| TSTP       | Termostato termo-stop             | Thermostat Termo-stop           | Termo-stop Thermostat        | Thermostat Termo-stop         |
| V          | Electrovalvula llenado y aclarado | Electrovan. remplissage rinçage | Fill and rinse valve         | Elektroventil Füllen und Spül |
| VE         | Ventilador cuadro electrico       | Ventilateur tableau électrique  | Switchboard fan              | Schalttafelventilator         |
| COLOR      | COLORES                           | COULEURS                        | COLOUR                       | FARBEN                        |
| a =        | Azul                              | Bleu                            | Blue                         | Blau                          |
| am =       | Amarillo                          | Jaune                           | Yellow                       | Gelb                          |
| am/ve =    | Amarillo/verde                    | Jaune / vert                    | Yellow / green               | Gelb/grün                     |
| b =        | Blanco                            | Blanc                           | White                        | Weiß                          |
| g =        | Gris                              | Gris                            | Grey                         | Grau                          |
| m =        | Marrón                            | Marron                          | Brown                        | Braun                         |
| n =        | Negro                             | Noir                            | Black                        | Schwarz                       |
| na =       | Naranja                           | Orange                          | Orange                       | Orange                        |
| r =        | Rojo                              | Rouge                           | Red                          | Rot                           |
| rs =       | Rosa                              | Rose                            | Pink                         | Rosa                          |
| ve =       | Verde                             | Vert                            | Green                        | Grün                          |
| vi =       | Violeta                           | Violet                          | Purple                       | Violett                       |